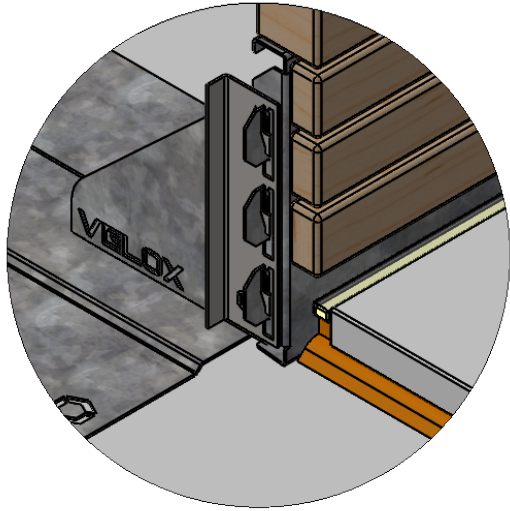
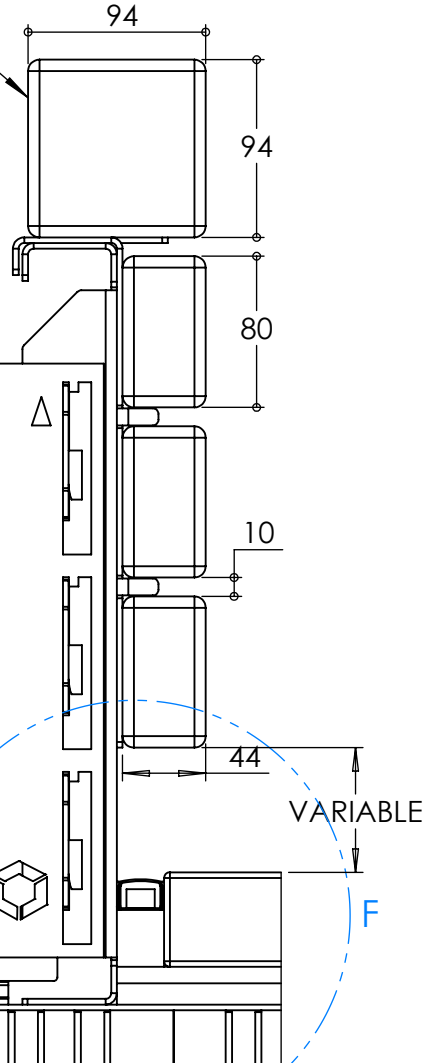


LED UNIT BY OTHERS
FOR ILLUSTRATION PURPOSES ONLY

Corrio Raised Planter Edge





Velox Rapid Edge System

VELOX

DRAINAGE CRATE

VELOX Rapid Edge™ UK00003507705 / Patent no: GB2600394 / Registered Design - Europe: 008214910 & UK: 90082149100001 | Above FFL | N/A mm | Below FFL | N/A mm | Quantity |

Agreed Sub-base Material: N/A | Lateral Support: N/A

REVISIONS			Drawn By	Linear metre	mm	STAGE	2	Product Corrio Raised Planter - Up Lighting LED	Project: Website Download	 Logic Manufacture Bespoke™ 01642 373400 specification@logic-bespoke.com	Sheet No.	SIZE
REV.	AMENDMENTS/NOTE	DATE	PM									
P01	TIMBER CHANGE	05/03/25	Timber	80mm x 44mm (Option Dependent)						DWG. NO. Corrio Raised Planter - Up Lighting	1 of 1	A4
			Metal	Steel (Option Dependent)								
			Finish	(Option Dependent)								
TOLERANCE: All dimensions tolerance +/- 5mm			REV. P01	 LOGIC MANUFACTURED BESPOKE™ ALL RIGHTS RESERVED								

Timber Disclaimer: All timbers lose a degree of tanning, some more than others. Timber in an external environment is susceptible to cracking, shelling and moving due to the natural drying process, this does not take away from the durability of the product. In time timber may develop surface discolouration, this is caused by natural mould feeding on the tannins and should disperse as the timber dries and turns silver. Logic are not liable for this natural process and can not be held responsible for any of these natural processes. All products to be installed in conjunction with the supplied installation guide, following the steps & guidance. All Logic products will bear some form of company branding.