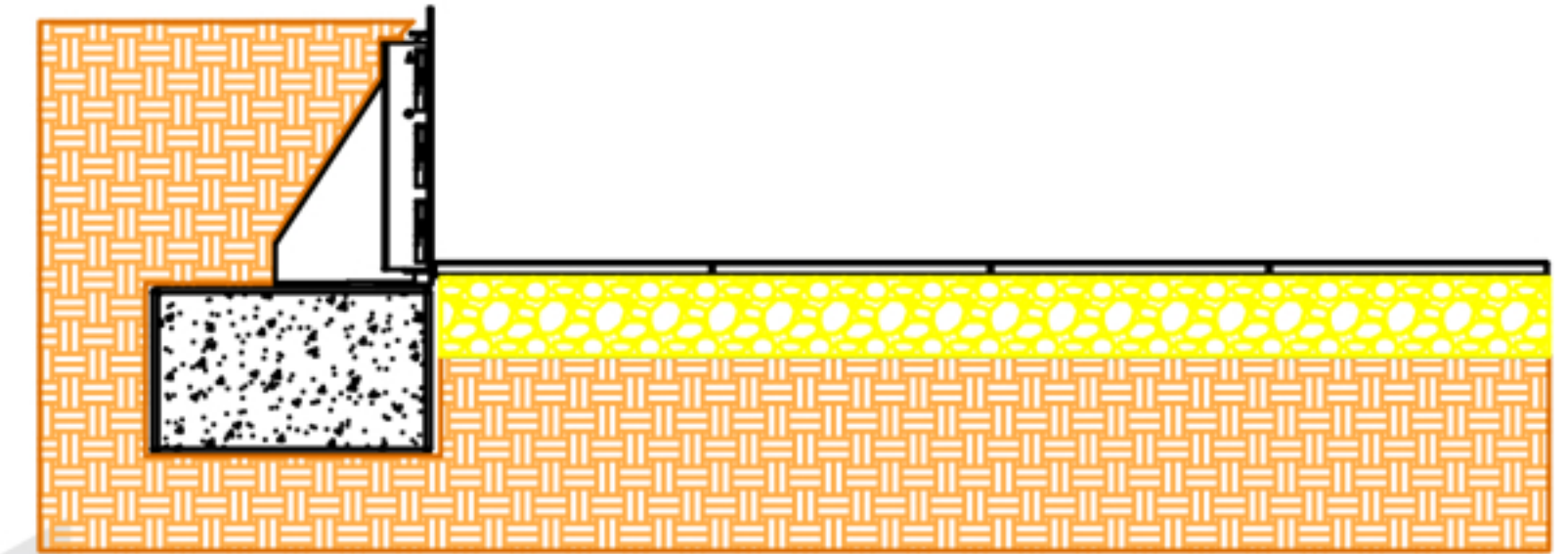


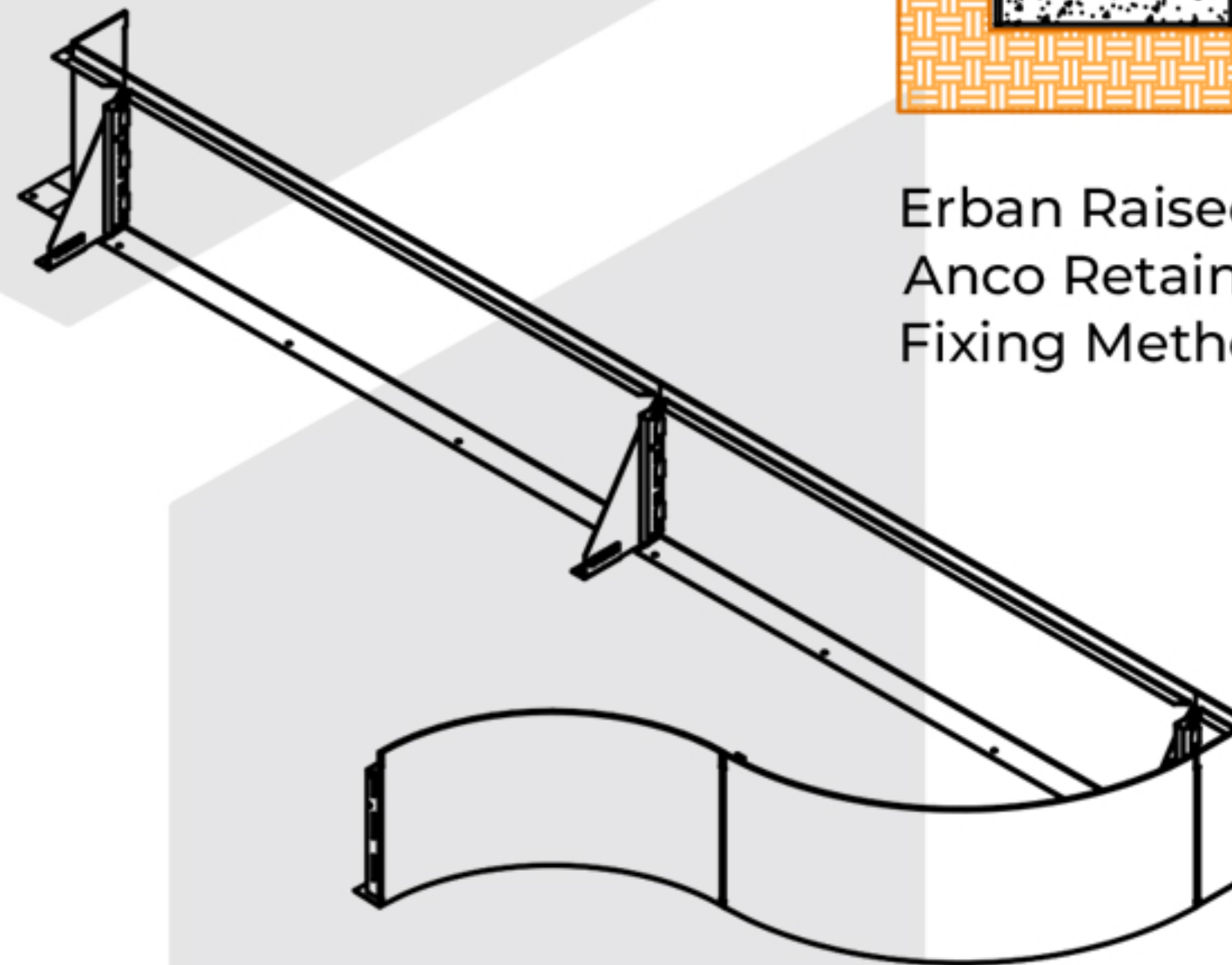
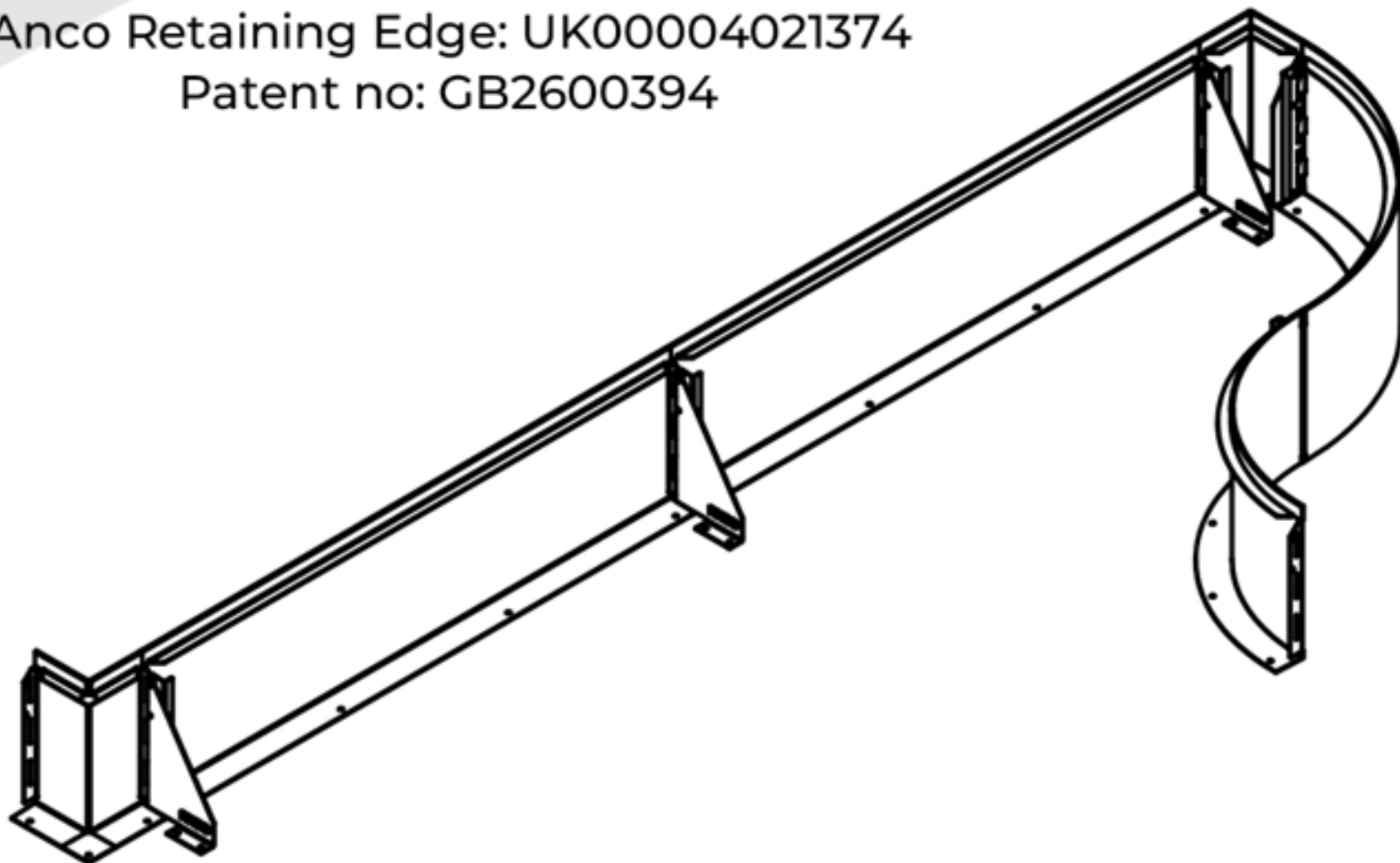
Erban Raised Planter Edging
Anco Retaining Edge
Fixing Method - Direct Fasten to Concrete Pad

Logic Manufactured Bespoke™
technical@logic-bespoke.com
www.logic-bespoke.com
01642 373400

Anco Retaining Edge: UK00004021374
Patent no: GB2600394



Erban Raised Planter Edging
Anco Retaining Edge
Fixing Method - Direct Fasten to Concrete Pad



Contact the Technical Team for direct project input.
T: 01642 373400
E: technical@logic-bespoke.com