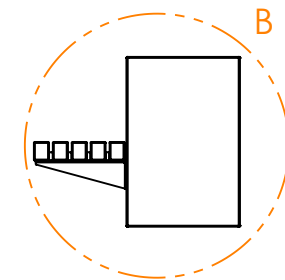
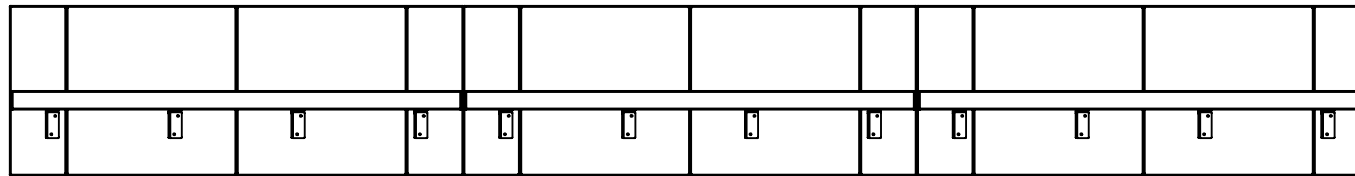
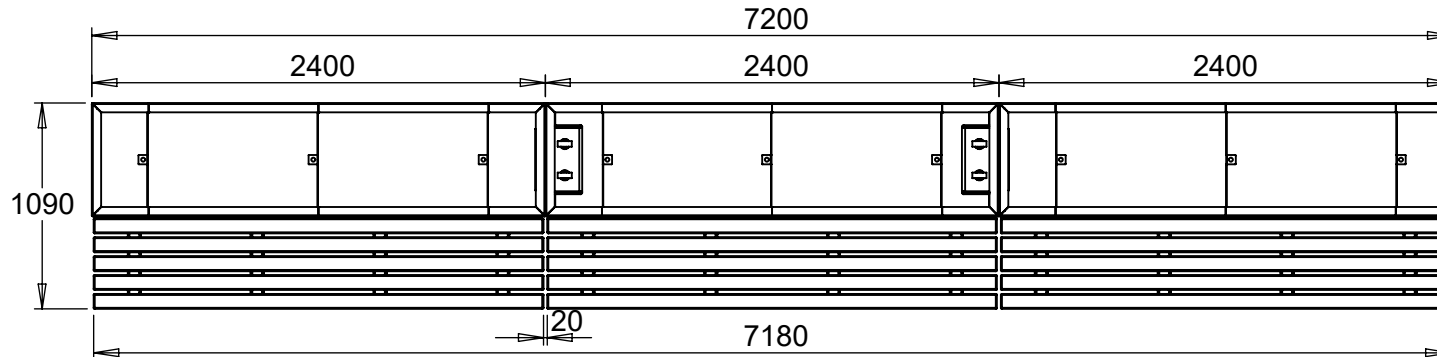
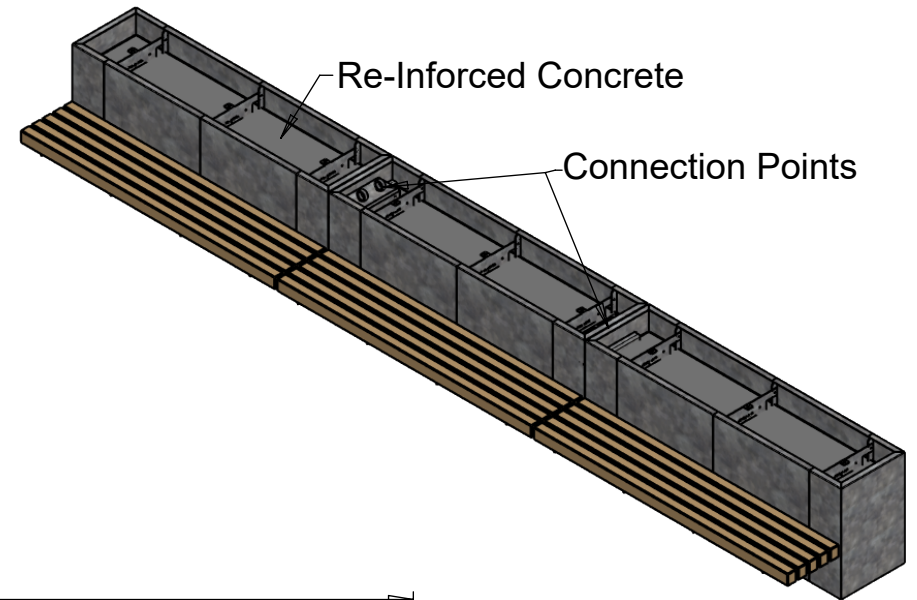


DETAIL B
SCALE 1 : 20



Patent Pending - GB 2206284.8 - Registered Design - UK00003760470

Quantity: --

Agreed Sub-base Material: --

Lateral Support: --

REVISIONS			Drawn By	SA	Weight	7411KG	STAGE	02
REV	AMENDMENTS/ NOTE	DATE	Project Manager	--	Date	10/07/2023		
-	-	--/--/--	Timber	Option Dependent				
-	-	--/--/--	Metal	Option Dependent				
-	-	--/--/--	Finish	Option Dependent				
-	-	--/--/--						

Product
Garden Bench Longitudinal

Project:
Project Name

LOGICTM
MANUFACTURED BESPOKE

Logic Manufacture BespokeTM
01642 373400 specification@logic-bespoke.com

DWG. NO. XXXX-G3-A-001

Status	REV	SIZE
P	01	A4

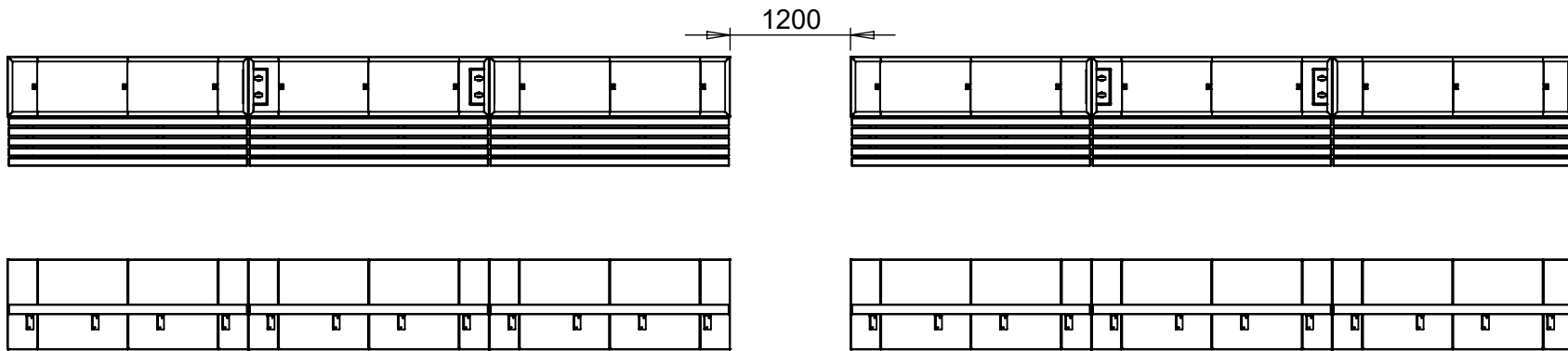
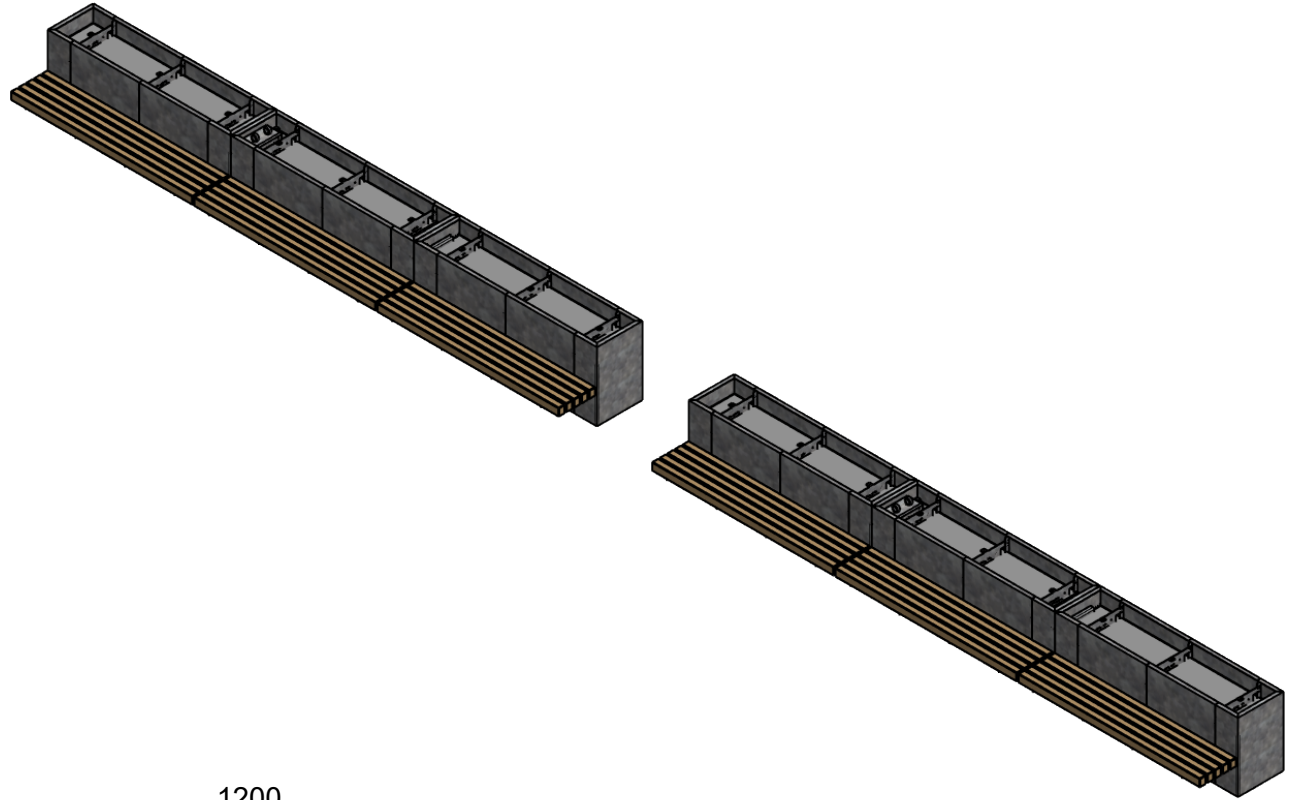
TOLERANCE: All dimensions tolerance +/- 5mm



LOGIC MANUFACTURED BESPOKETM
ALL RIGHTS RESERVED

Timber Disclaimer: All timbers lose a degree of tanning, some more than others. Timber in an external environment is susceptible to cracking, shelling and moving due to the natural drying process, this does not take away from the durability of the product. In time timber may develop surface discolouration, this is caused by natural mould feeding on the tannins and should disperse as the timber dries and turns silver. Logic are not liable for this natural process and can not be held responsible for any of these natural processes. All products to be installed in conjunction with the supplied installation guide, following the steps & guidance. All Logic products will bear some form of company branding.

TEST Rating:
IWA14-Planter V/2500[N1G]/64/90



Patent Pending - GB 2206284.8 - Registered Design - UK00003760470

Quantity: --

Agreed Sub-base Material: --

Lateral Support: --

REVISIONS			Drawn By	SA	Weight	14822KG	STAGE	02
REV	AMENDMENTS/ NOTE	DATE	Project Manager	--	Date	10/07/2023		
-	-	--/--/--	Timber	Option Dependent				
-	-	--/--/--	Metal	Option Dependent				
-	-	--/--/--	Finish	Option Dependent				
-	-	--/--/--						

Product
Gardien Bench Longitudinal

Project:
Project Name

LOGICTM
MANUFACTURED BESPOKE

Logic Manufacture BespokeTM
01642 373400 specification@logic-bespoke.com

DWG. NO.
XXXX-G3-A-001

Status	REV	SIZE
P	01	A4

TOLERANCE: All dimensions tolerance +/- 5mm



LOGIC MANUFACTURED BESPOKETM
ALL RIGHTS RESERVED

Timber Disclaimer: All timbers lose a degree of tanning, some more than others. Timber in an external environment is susceptible to cracking, shelling and moving due to the natural drying process, this does not take away from the durability of the product. In time timber may develop surface discolouration, this is caused by natural mould feeding on the tannins and should disperse as the timber dries and turns silver. Logic are not liable for this natural process and can not be held responsible for any of these natural processes. All products to be installed in conjunction with the supplied installation guide, following the steps & guidance. All Logic products will bear some form of company branding.