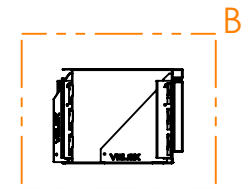
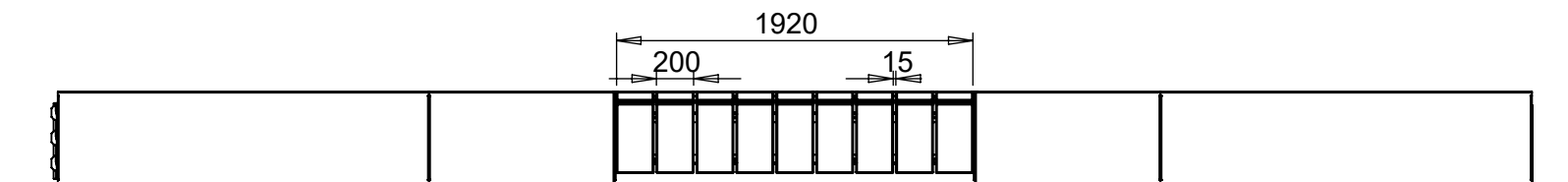
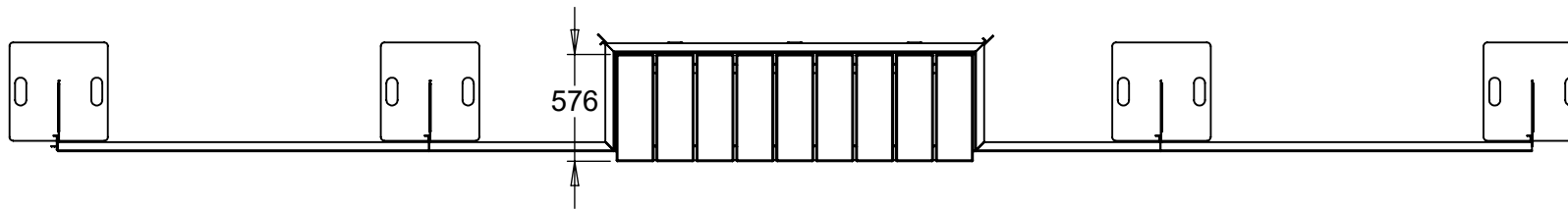


DETAIL B
SCALE 1 : 10



Quantity: --

Agreed Sub-base Material: --

Lateral Support: --

REVISIONS			Drawn	SA	PM
REV	AMENDMENTS/ NOTE	DATE	Date	13/04/2023	--
-	-	--/--/--	Timber	Option Dependent	
-	-	--/--/--	Metal	3mm Mild Steel Galvanised	
-	-	--/--/--	Finish	Powder Coated RAL	Weight -- KG
-	-	--/--/--			

DO NOT SCALE DRAWINGS

LOGIC MANUFACTURED BESPOKE™
ALL RIGHTS RESERVED

Product
Integrated Boxer Bench

Project:
--

LOGIC™
MANUFACTURED BESPOKE

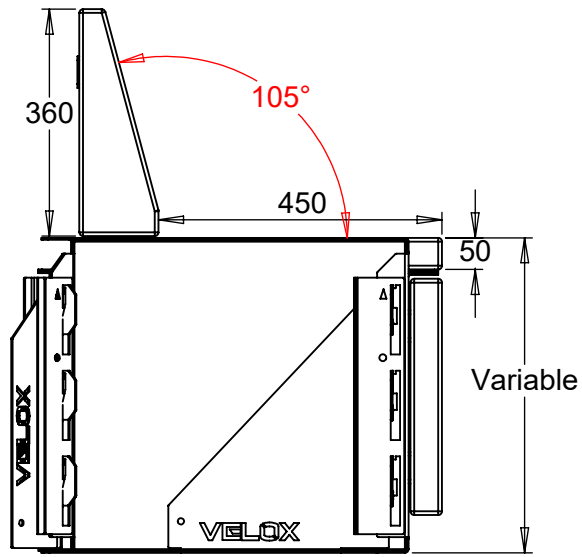
Logic Manufacture Bespoke™
01642 373400 specification@logic-bespoke.com

DWG. NO. **XXXX-PL06-A-001**

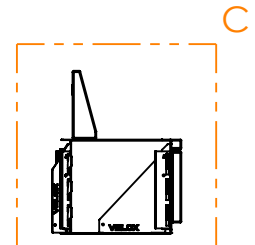
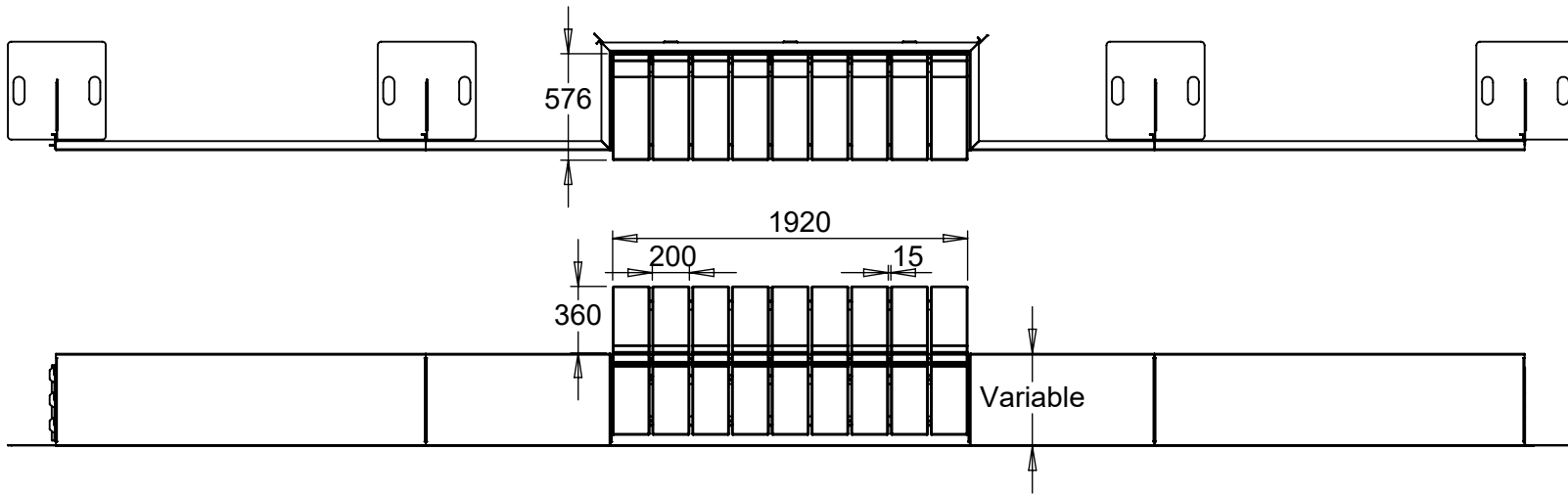
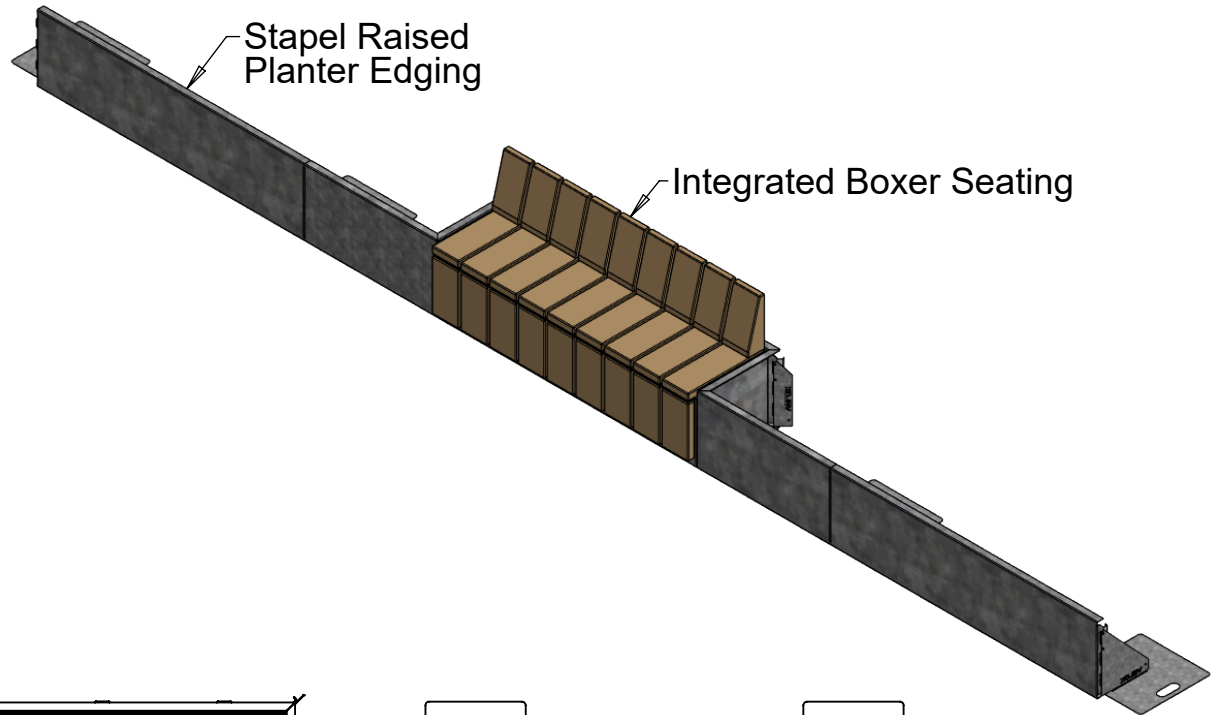
REV
--

SIZE
A4

Timber Disclaimer: All timbers lose a degree of tanning, some more than others. Timber in an external environment is susceptible to cracking, shelling and moving due to the natural drying process, this does not take away from the durability of the product. In time timber may develop surface discolouration, this is caused by natural mould feeding on the tannins and should disperse as the timber dries and turns silver. Logic are not liable for this natural process and can not be held responsible for any of these natural processes. All products to be installed in conjunction with the supplied installation guide, following the steps & guidance. All Logic products will bear some form of company branding. VELOX Rapid Edge™ UK00003507705 / Patent no:GB2600394 / Registered Design - Europe:008214910 & UK:90082149100001



DETAIL C
SCALE 1 : 12



Quantity: --

Agreed Sub-base Material: --

Lateral Support: --

REVISIONS			Drawn	SA	PM
REV	AMENDMENTS/ NOTE	DATE	Date	13/04/2023	--
-	-	--/--/--	Timber	Option Dependent	
-	-	--/--/--	Metal	3mm Mild Steel Galvanised	
-	-	--/--/--	Finish	Powder Coated RAL	Weight -- KG
-	-	--/--/--			

DO NOT SCALE DRAWINGS

LOGIC MANUFACTURED BESPOKE™
ALL RIGHTS RESERVED

Product
Integrated Boxer Seat

Project:
--



Logic Manufacture Bespoke™
01642 373400 specification@logic-bespoke.com

DWG. NO. **XXXX-PL06-A-002**

REV -- SIZE A4

Timber Disclaimer: All timbers lose a degree of tanning, some more than others. Timber in an external environment is susceptible to cracking, shelling and moving due to the natural drying process, this does not take away from the durability of the product. In time timber may develop surface discolouration, this is caused by natural mould feeding on the tannins and should disperse as the timber dries and turns silver. Logic are not liable for this natural process and can not be held responsible for any of these natural processes. All products to be installed in conjunction with the supplied installation guide, following the steps & guidance. All Logic products will bear some form of company branding. VELOX Rapid Edge™ UK00003507705 / Patent no:GB2600394 / Registered Design - Europe:008214910 & UK:90082149100001