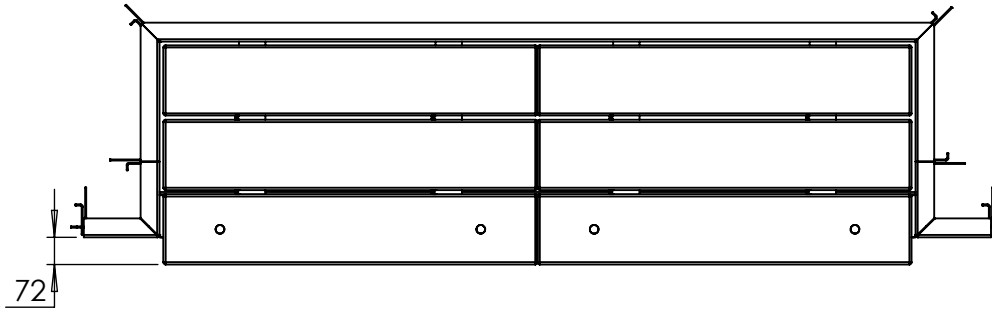
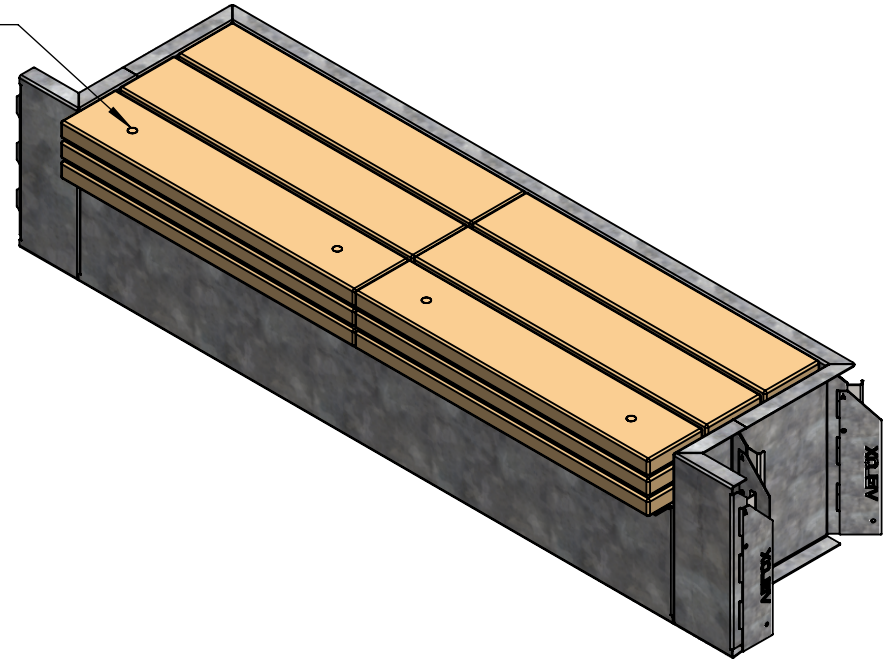
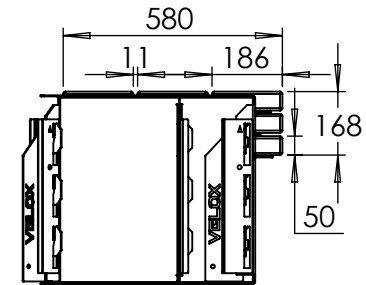
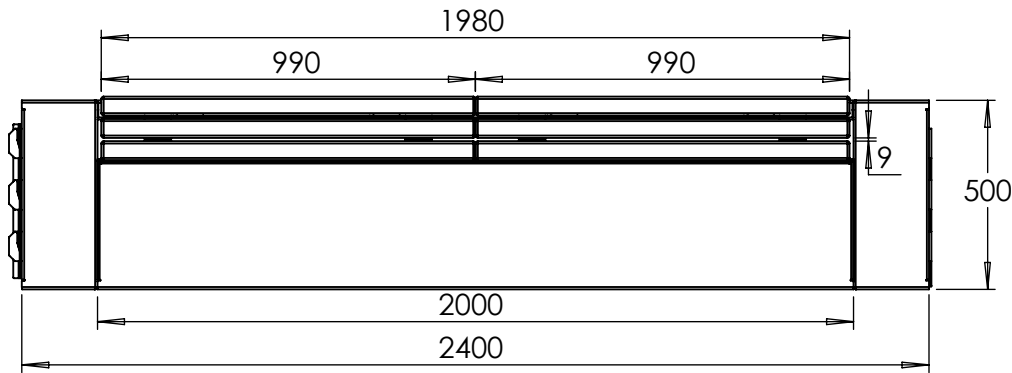


TIMBER PLUGS  
HIDDEN FIXINGS



72



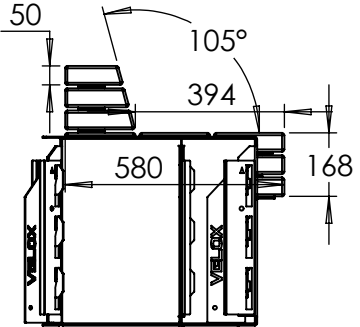
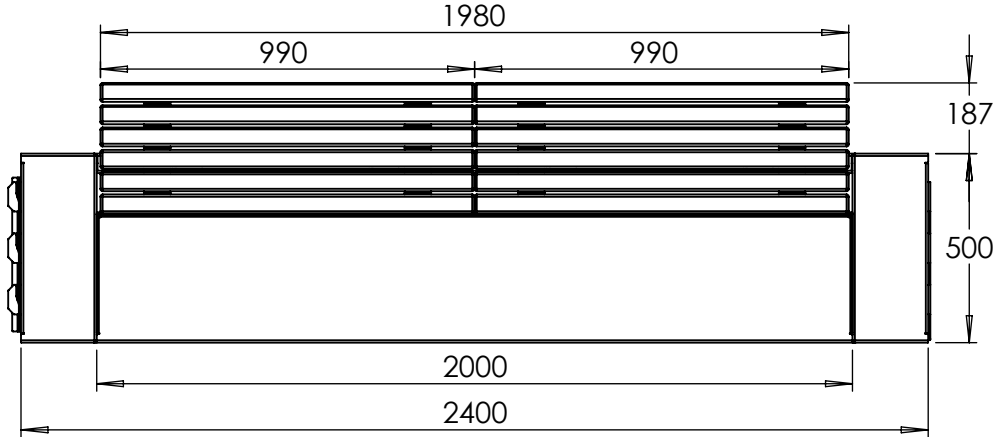
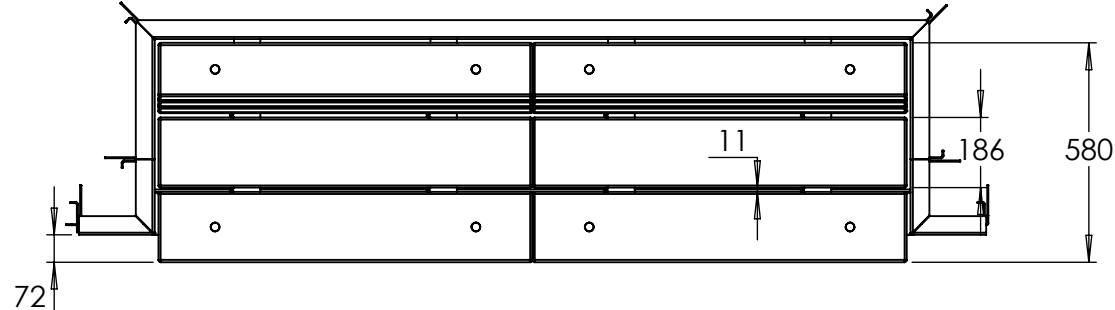
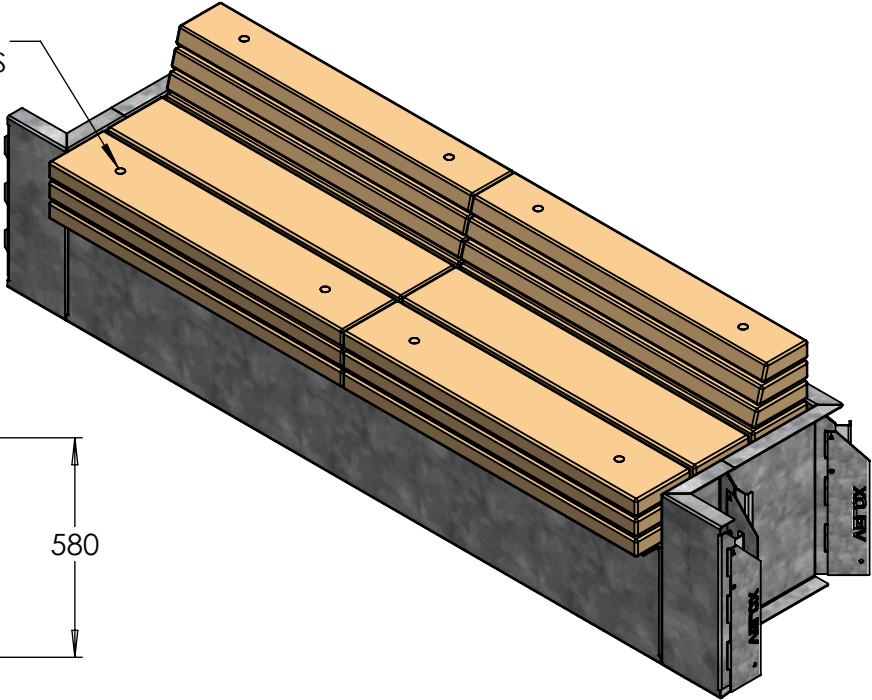
**VELOX Rapid Edge™** UK00003507705 / Patent no: GB2600394 / Registered Design - Europe: 008214910 & UK: 90082149100001 | Above FFL | mm | Below FFL | mm | Quantity |

Agreed Sub-base Material: | Lateral Support:

REVISIONS			Drawn By	SA	Linear metre	mm	STAGE	3	Product Integrated Plano Module Plano Bench	Project:	 Logic Manufacture Bespoke™ 01642 373400 specification@logic-bespoke.com	DWG. NO. Integrated Straight Module	Sheet No.	SIZE			
REV.	AMENDMENTS/NOTE	DATE	PM														
2.0	UPDATED DESIGN	09/05/24	Timber														
			Metal		3mm Mild Steel Galvanised												
			Finish		Powder Coated RAL												
TOLERANCE: All dimensions tolerance +/- 5mm			REV. 2.0	 <b>LOGIC MANUFACTURED BESPOKE™</b> ALL RIGHTS RESERVED								1 of 2	A4				

Timber Disclaimer: All timbers lose a degree of tanning, some more than others. Timber in an external environment is susceptible to cracking, shelling and moving due to the natural drying process, this does not take away from the durability of the product. In time timber may develop surface discolouration, this is caused by natural mould feeding on the tannins and should disperse as the timber dries and turns silver. Logic are not liable for this natural process and can not be held responsible for any of these natural processes. All products to be installed in conjunction with the supplied installation guide, following the steps & guidance. All Logic products will bear some form of company branding.

TIMBER PLUGS  
HIDDEN FIXINGS



VELOX Rapid Edge™ UK00003507705 / Patent no: GB2600394 / Registered Design - Europe: 008214910 & UK: 90082149100001 | Above FFL | mm | Below FFL | mm | Quantity |

Agreed Sub-base Material: | Lateral Support:

REVISIONS			Drawn By	SA	Linear metre	mm	STAGE	3	Product Integrated Plano Module Plano Bench	Project:	 Logic Manufacture Bespoke™ 01642 373400 specification@logic-bespoke.com	DWG. NO.	Sheet No.	SIZE
REV.	AMENDMENTS/NOTE	DATE	PM											
2.0	UPDATED DESIGN	09/05/24	Timber											
			Metal	3mm Mild Steel Galvanised										
			Finish	Powder Coated RAL										
TOLERANCE: All dimensions tolerance +/- 5mm			REV. 2.0	 <b>LOGIC MANUFACTURED BESPOKE™</b> <b>ALL RIGHTS RESERVED</b>					Integrated Straight Module	2 of 2	A4			

Timber Disclaimer: All timbers lose a degree of tanning, some more than others. Timber in an external environment is susceptible to cracking, shelling and moving due to the natural drying process, this does not take away from the durability of the product. In time timber may develop surface discolouration, this is caused by natural mould feeding on the tannins and should disperse as the timber dries and turns silver. Logic are not liable for this natural process and can not be held responsible for any of these natural processes. All products to be installed in conjunction with the supplied installation guide, following the steps & guidance. All Logic products will bear some form of company branding.