

Quantity: -- *Various lengths - 580mm, 1380mm, 1980mm, 2480mm

Agreed Sub-base Material: -- Lateral Support: --

REVISIONS			Drawn	SA	PM	Weight
REV	AMENDMENTS/ NOTE	DATE	Date	23/06/2023		
-	-	--/--/--	Timber	Option Dependent		
-	-	--/--/--	Metal	4mm Mild Steel Galvanised		
-	-	--/--/--	Finish	Powder Coated RAL 7016		-- KG
-	-	--/--/--	DO NOT SCALE DRAWINGS LOGIC MANUFACTURED BESPOKE™ ALL RIGHTS RESERVED			

Product
Modal Bench

Project:
--

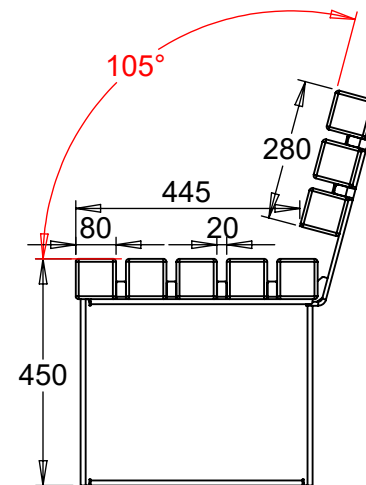
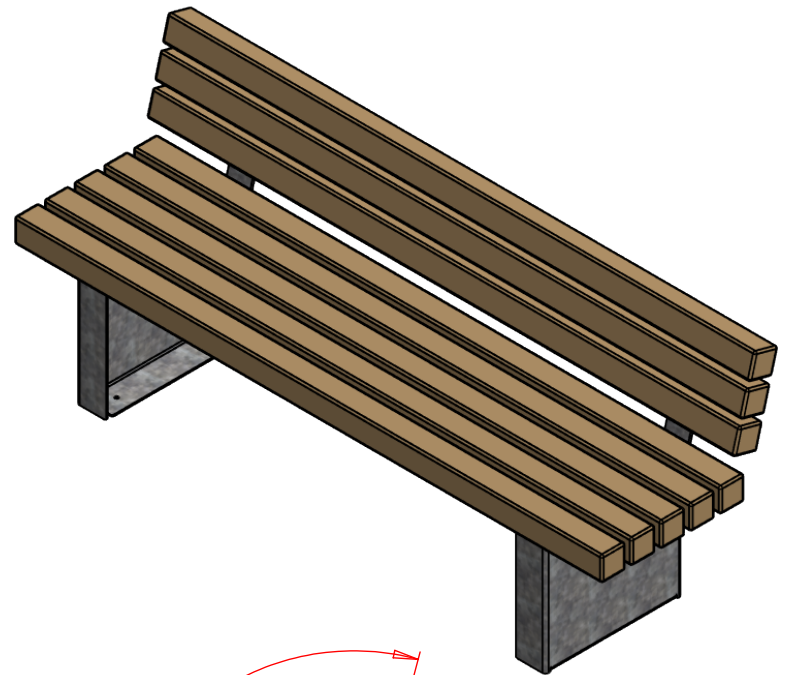
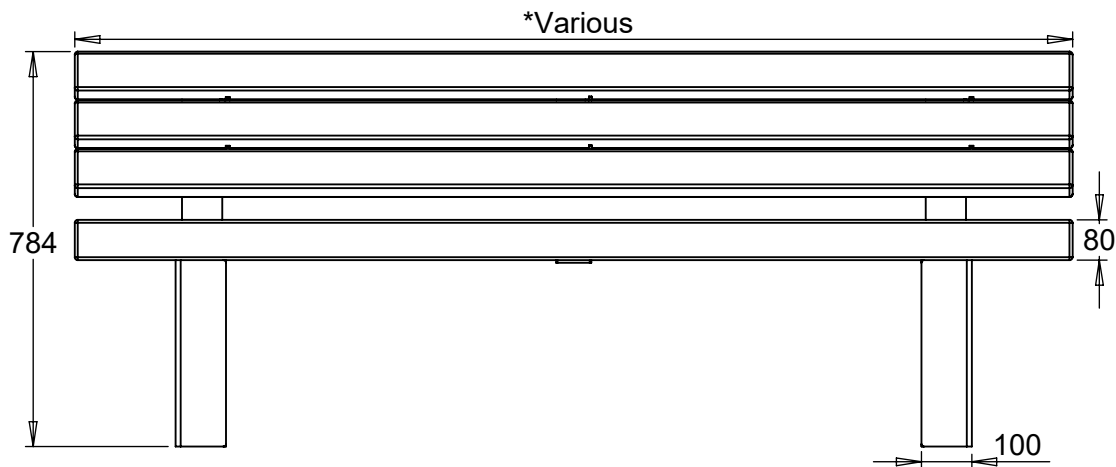
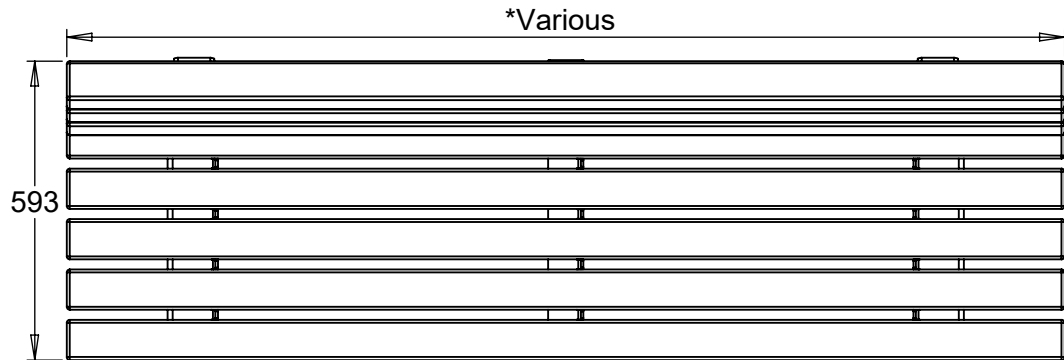


Logic Manufacture Bespoke™
Project: 01642 373400 specification@logic-bespoke.com

DWG. NO.
XXXX-B014-A-002

REV
-- **SIZE**
A4

Timber Disclaimer: All timbers lose a degree of tanning, some more than others. Timber in an external environment is susceptible to cracking, shelling and moving due to the natural drying process, this does not take away from the durability of the product. In time timber may develop surface discolouration, this is caused by natural mould feeding on the tannins and should disperse as the timber dries and turns silver. Logic are not liable for this natural process and can not be held responsible for any of these natural processes. All products to be installed in conjunction with the supplied installation guide, following the steps & guidance. All Logic products will bear some form of company branding. VELOX Rapid Edge™ - Patent Pending - GB2016654.2 - Registered Design - 9008214910001



Quantity: -- *Various lengths - 580mm, 1380mm, 1980mm, 2480mm

Agreed Sub-base Material: --

Lateral Support: --

REVISIONS			Drawn	SA	PM
REV	AMENDMENTS/ NOTE	DATE	Date	23/06/2023	
-	-	--/--/--	Timber	Option Dependent	
-	-	--/--/--	Metal	4mm Mild Steel Galvanised	
-	-	--/--/--	Finish	Powder Coated RAL 7016	Weight -- KG
-	-	--/--/--	DO NOT SCALE DRAWINGS LOGIC MANUFACTURED BESPOKE™ ALL RIGHTS RESERVED		

Product
Modal Seat

Project:

--

LOGIC™
MANUFACTURED BESPOKE

Logic Manufacture Bespoke™
Project: 01642 373400 specification@logic-bespoke.com

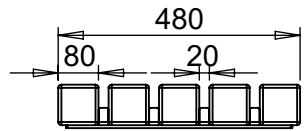
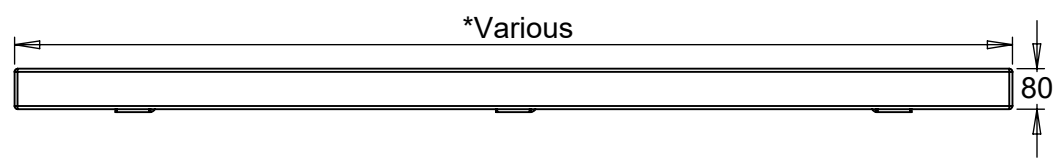
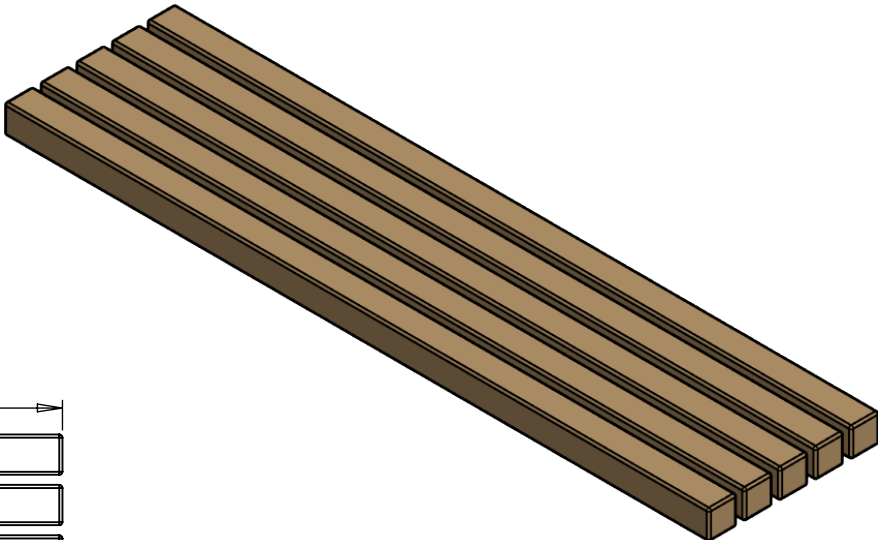
DWG. NO.
XXXX-B015-A-002

REV

--

SIZE
A4

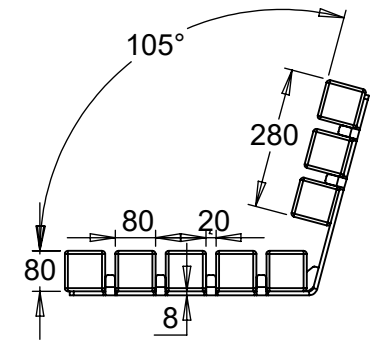
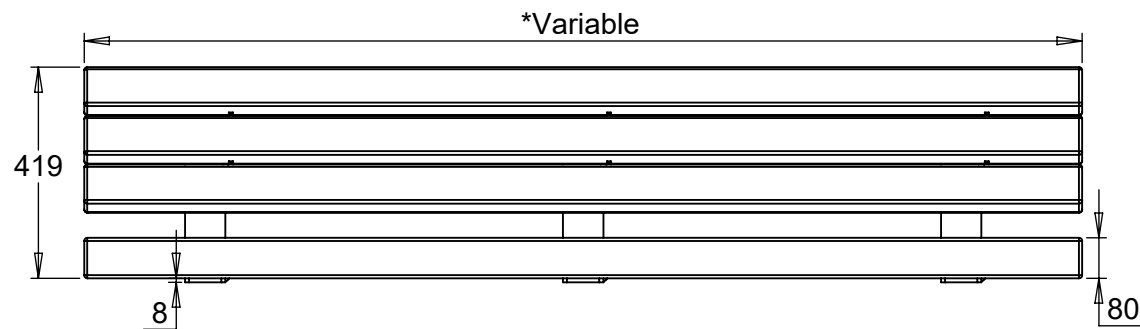
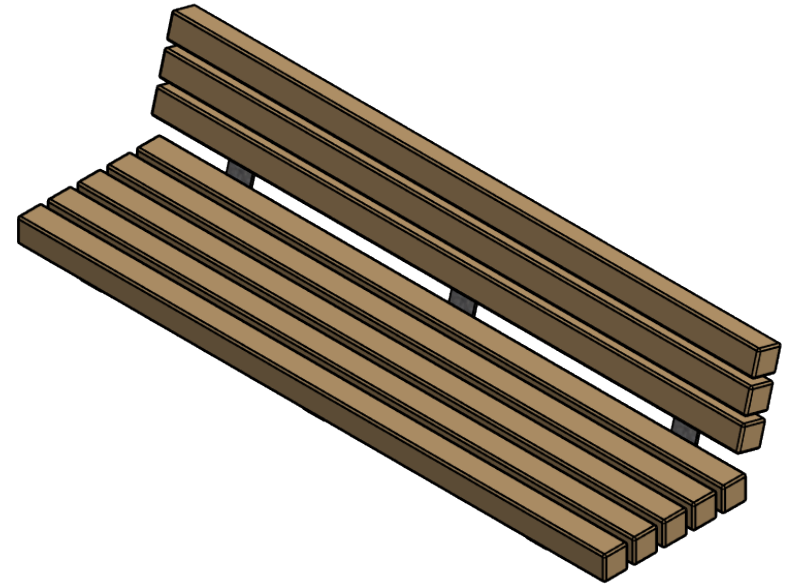
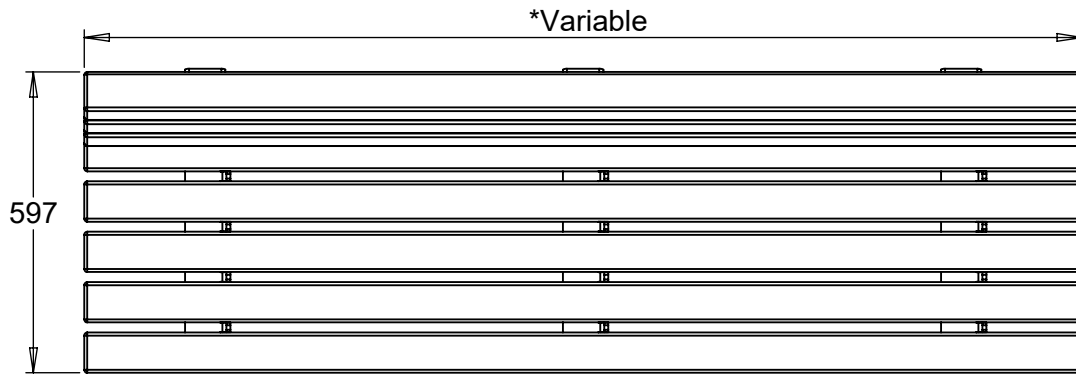
Timber Disclaimer: All timbers lose a degree of tanning, some more than others. Timber in an external environment is susceptible to cracking, shelling and moving due to the natural drying process, this does not take away from the durability of the product. In time timber may develop surface discolouration, this is caused by natural mould feeding on the tannins and should disperse as the timber dries and turns silver. Logic are not liable for this natural process and can not be held responsible for any of these natural processes. All products to be installed in conjunction with the supplied installation guide, following the steps & guidance. All Logic products will bear some form of company branding. VELOX Rapid Edge™ - Patent Pending - GB2016654.2 - Registered Design - 9008214910001



Quantity: -- *Various lengths - 580mm, 1380mm, 1980mm, 2480mm

Agreed Sub-base Material: --				Lateral Support: --			
REVISIONS			Drawn	SA	PM	Product	
REV	AMENDMENTS/ NOTE	DATE	Date	23/06/2023		Modal Wall Bench	
-	-	--/--/--	Timber	Option Dependent		Project: --	
-	-	--/--/--	Metal	8mm Mild Steel Galvanised			
-	-	--/--/--	Finish	Powder Coated RAL 7016	Weight -- KG		
-	-	--/--/--					
TOLERANCE: All dimensions tolerance +/- 5mm			DO NOT SCALE DRAWINGS	LOGIC MANUFACTURED BESPOKE™ ALL RIGHTS RESERVED			
						Logic Manufacture Bespoke™ Project: 01642 373400 specification@logic-bespoke.com	REV --
						DWG. NO. XXXX-B016-A-002	SIZE A4

Timber Disclaimer: All timbers lose a degree of tanning, some more than others. Timber in an external environment is susceptible to cracking, shelling and moving due to the natural drying process, this does not take away from the durability of the product. In time timber may develop surface discolouration, this is caused by natural mould feeding on the tannins and should disperse as the timber dries and turns silver. Logic are not liable for this natural process and can not be held responsible for any of these natural processes. All products to be installed in conjunction with the supplied installation guide, following the steps & guidance. All Logic products will bear some form of company branding. VELOX Rapid Edge™ - Patent Pending - GB2016654.2 - Registered Design - 9008214910001



Quantity: -- *Various lengths - 580mm, 1380mm, 1980mm, 2480mm

Agreed Sub-base Material: -- Lateral Support: --

REVISIONS			Drawn	SA	PM
REV	AMENDMENTS/ NOTE	DATE	Date	23/06/2023	
-	-	--/--/--	Timber	Option Dependent	
-	-	--/--/--	Metal	8mm Mild Steel Galvanised	
-	-	--/--/--	Finish	Powder Coated RAL 7016	Weight -- KG
-	-	--/--/--	DO NOT SCALE DRAWINGS LOGIC MANUFACTURED BESPOKE™ ALL RIGHTS RESERVED		

Product
Modal Wall Seat

Project:
--

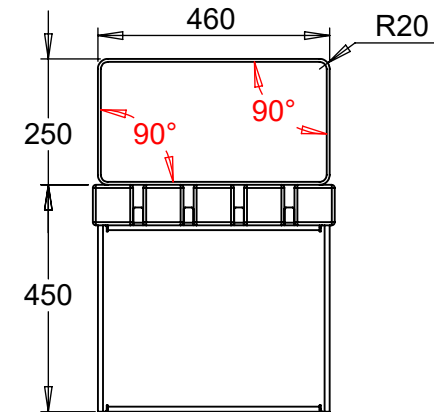
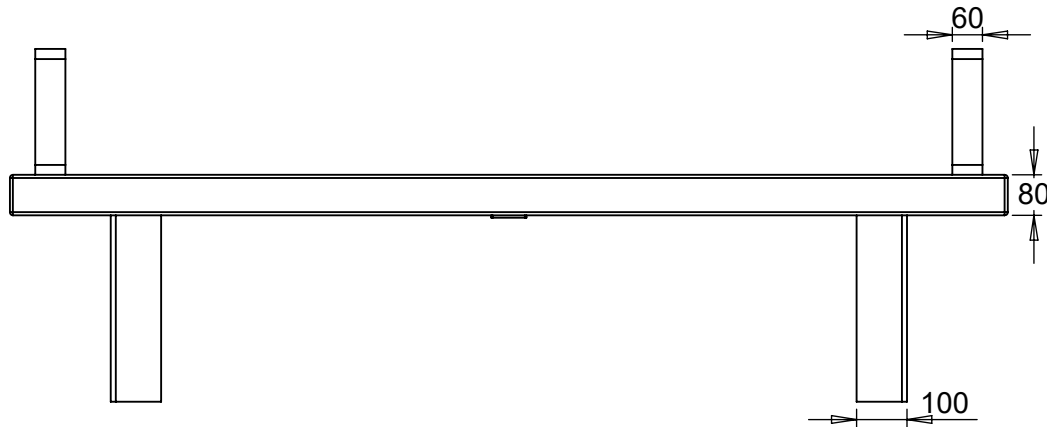
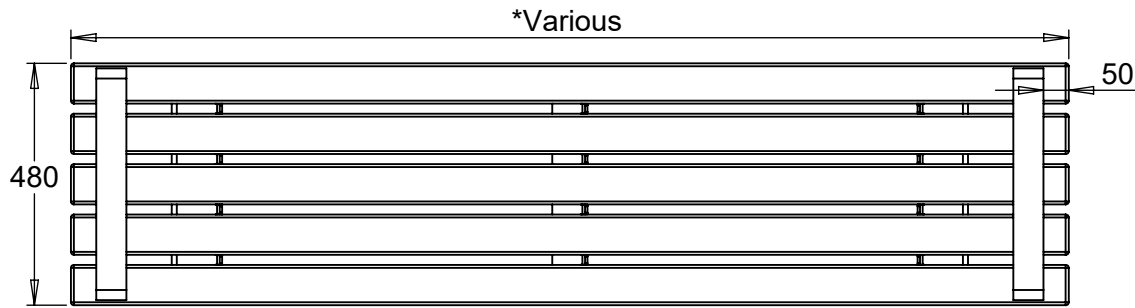
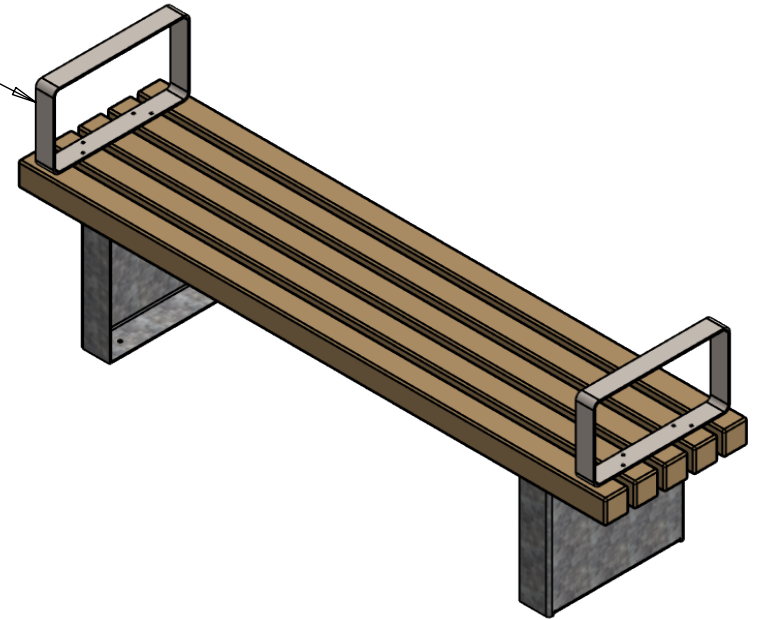


Logic Manufacture Bespoke™
Project: 01642 373400 specification@logic-bespoke.com

DWG. NO. **XXXX-B017-A-002** **REV** **SIZE**
-- **A4**

Timber Disclaimer: All timbers lose a degree of tanning, some more than others. Timber in an external environment is susceptible to cracking, shelling and moving due to the natural drying process, this does not take away from the durability of the product. In time timber may develop surface discolouration, this is caused by natural mould feeding on the tannins and should disperse as the timber dries and turns silver. Logic are not liable for this natural process and can not be held responsible for any of these natural processes. All products to be installed in conjunction with the supplied installation guide, following the steps & guidance. All Logic products will bear some form of company branding. VELOX Rapid Edge™ - Patent Pending - GB2016654.2 - Registered Design - 90082149100001

Stainless Steel



Quantity: -- *Various lengths - 580mm, 1380mm, 1980mm, 2480mm

Agreed Sub-base Material: --

Lateral Support: --

REVISIONS			Drawn	SA	PM	Product	
REV	AMENDMENTS/ NOTE	DATE	Date	23/06/2023		Modal Bench with Arms	
-	-	--/--/--	Timber	Option Dependent		Project:	
-	-	--/--/--	Metal	4mm Mild Steel Galvanised		--	
-	-	--/--/--	Finish	Powder Coated RAL 7016	Weight	-- KG	
-	-	--/--/--	LOGIC MANUFACTURED BESPOKE™ ALL RIGHTS RESERVED				

TOLERANCE: All dimensions tolerance +/- 5mm

LOGIC
MANUFACTURED BESPOKE

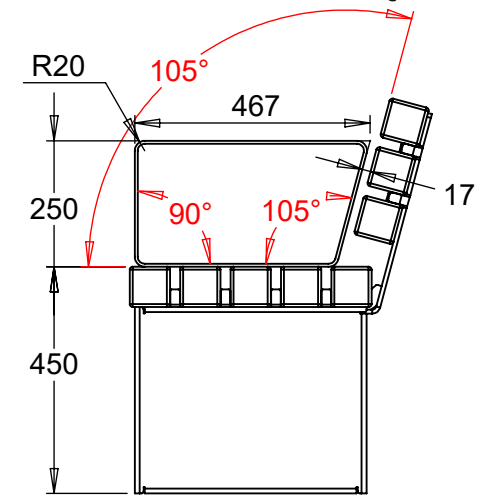
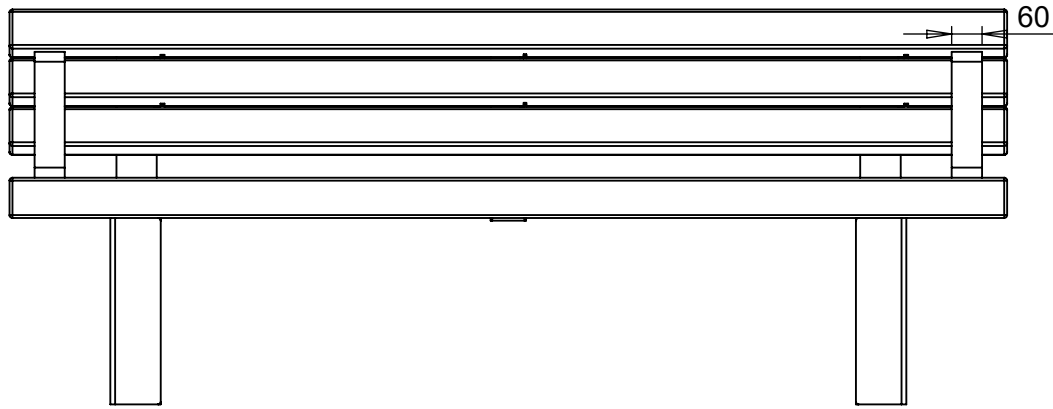
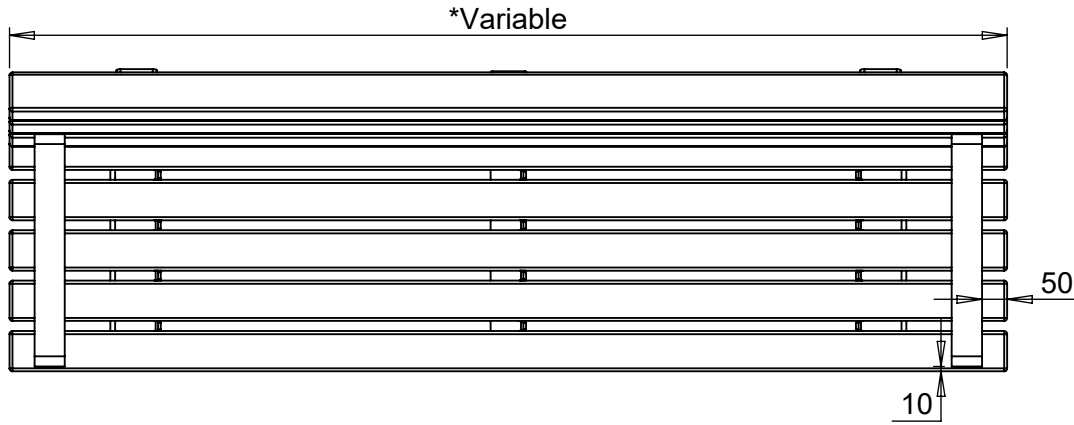
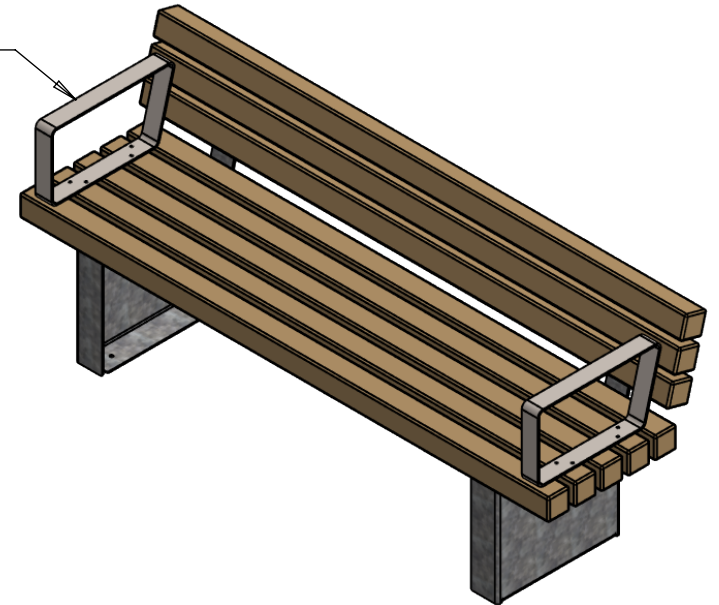
Logic Manufacture Bespoke™
Project: 01642 373400 specification@logic-bespoke.com

DWG. NO.
XXXX-B014-A-004

REV
-- SIZE
A4

Timber Disclaimer: All timbers lose a degree of tanning, some more than others. Timber in an external environment is susceptible to cracking, shelling and moving due to the natural drying process, this does not take away from the durability of the product. In time timber may develop surface discolouration, this is caused by natural mould feeding on the tannins and should disperse as the timber dries and turns silver. Logic are not liable for this natural process and can not be held responsible for any of these natural processes. All products to be installed in conjunction with the supplied installation guide, following the steps & guidance. All Logic products will bear some form of company branding. VELOX Rapid Edge™ - Patent Pending - GB2016654.2 - Registered Design - 9008214910001

Stainless Steel



Quantity: -- *Various lengths - 580mm, 1380mm, 1980mm, 2480mm

Agreed Sub-base Material: -- Lateral Support: --

REVISIONS			Drawn	SA	PM
REV	AMENDMENTS/ NOTE	DATE	Date	23/06/2023	
-	-	--/--/--	Timber	Option Dependent	
-	-	--/--/--	Metal	4mm Mild Steel Galvanised	
-	-	--/--/--	Finish	Powder Coated RAL 7016	Weight -- KG
-	-	--/--/--	LOGIC MANUFACTURED BESPOKE™ ALL RIGHTS RESERVED		

Product
Modal Seat with Arms

Project:
--

LOGIC™
MANUFACTURED BESPOKE

Logic Manufacture Bespoke™
Project: 01642 373400 specification@logic-bespoke.com

DWG. NO.
XXXX-B015-A-004

REV
--

SIZE
A4

Timber Disclaimer: All timbers lose a degree of tanning, some more than others. Timber in an external environment is susceptible to cracking, shelling and moving due to the natural drying process, this does not take away from the durability of the product. In time timber may develop surface discolouration, this is caused by natural mould feeding on the tannins and should disperse as the timber dries and turns silver. Logic are not liable for this natural process and can not be held responsible for any of these natural processes. All products to be installed in conjunction with the supplied installation guide, following the steps & guidance. All Logic products will bear some form of company branding. VELOX Rapid Edge™ - Patent Pending - GB2016654.2 - Registered Design - 9008214910001