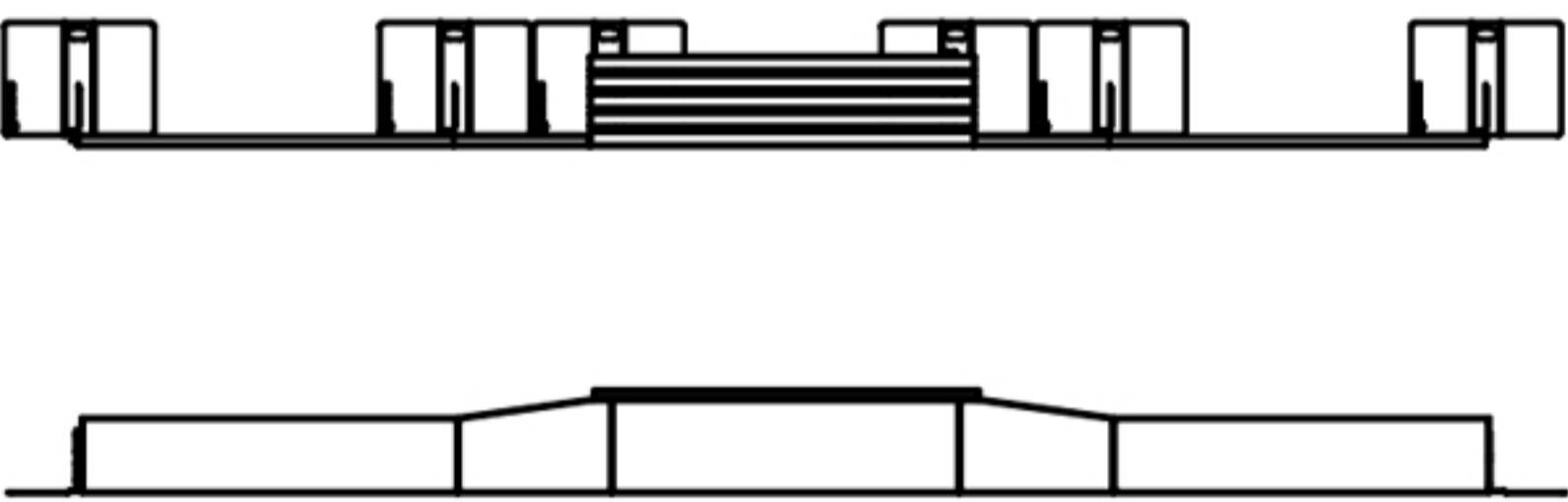
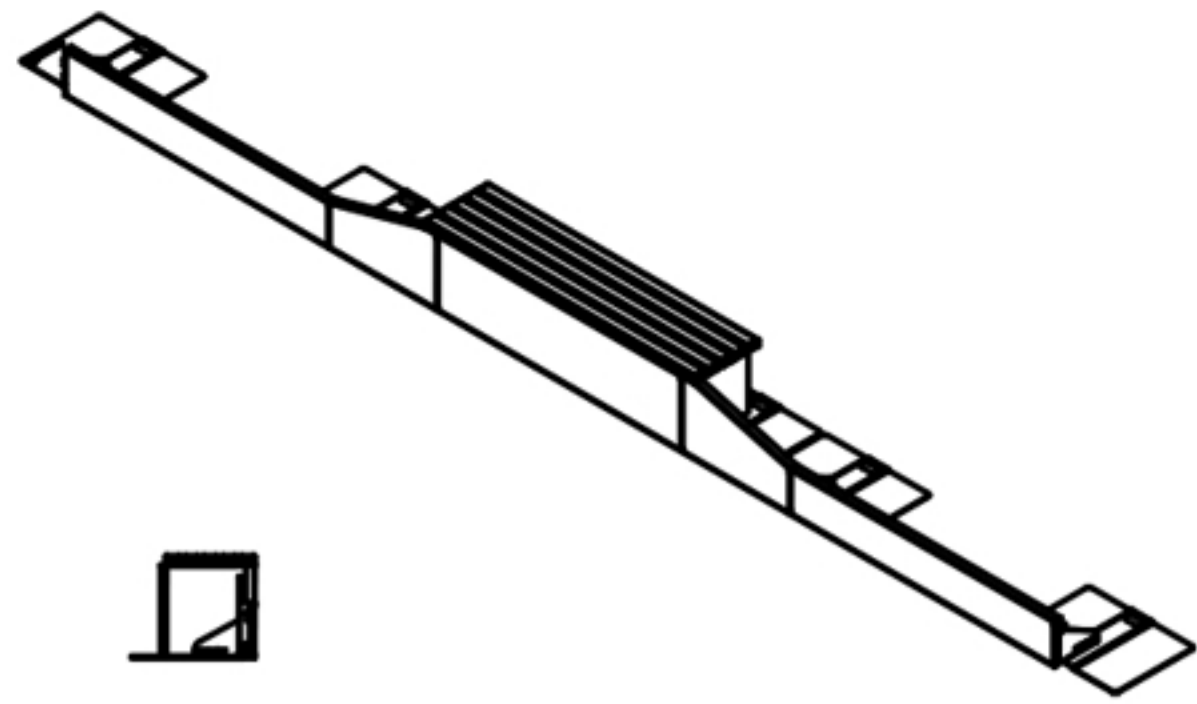


Modal Integrated Bench

Stapel Planter Edging - 300mm (H)  
Fixing Method - Velox Rapid Edge

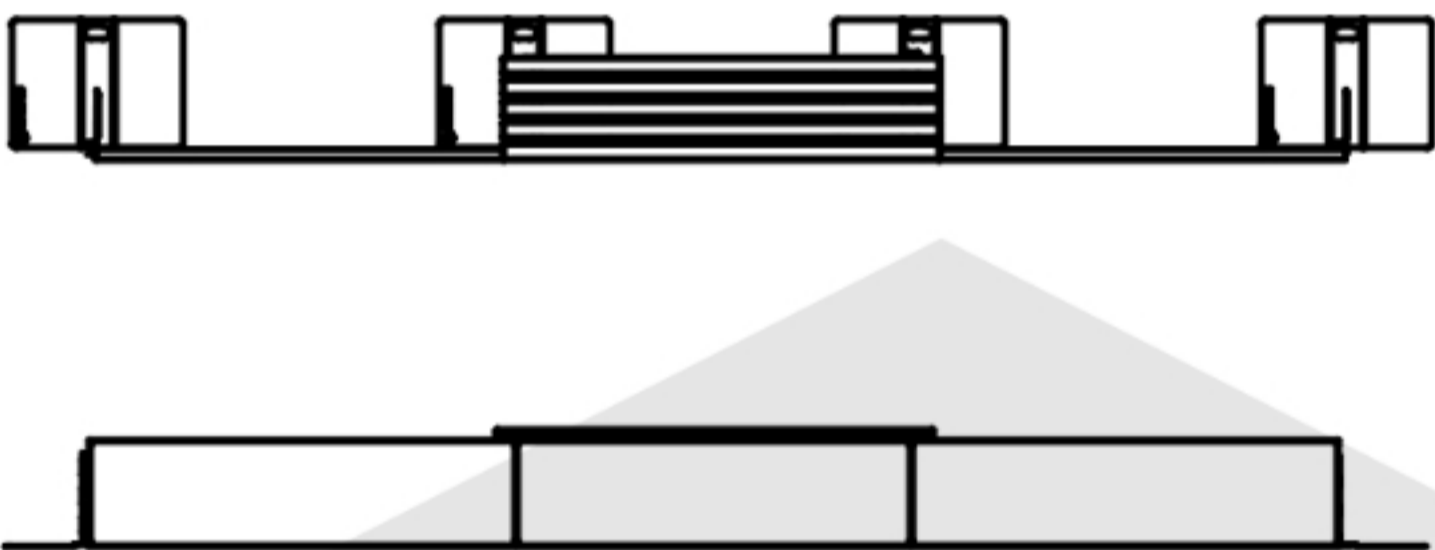
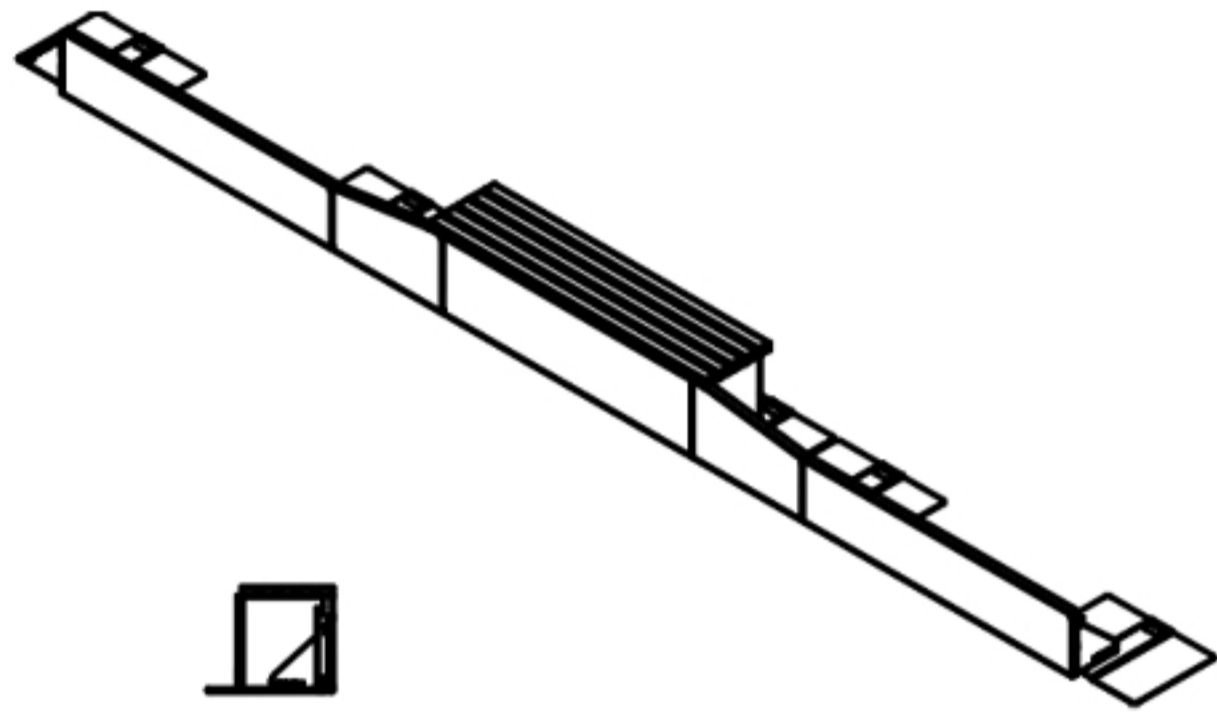
Modal Bench - 2050mm (L) x 480mm (W) x 450mm (Hight Above Ground)  
Modal Bench - Fixing Method - Direct Fasten to Planter Edging



Modal Integrated Bench

Stapel Planter Edging - 400mm (H)  
Fixing Method - Velox Rapid Edge

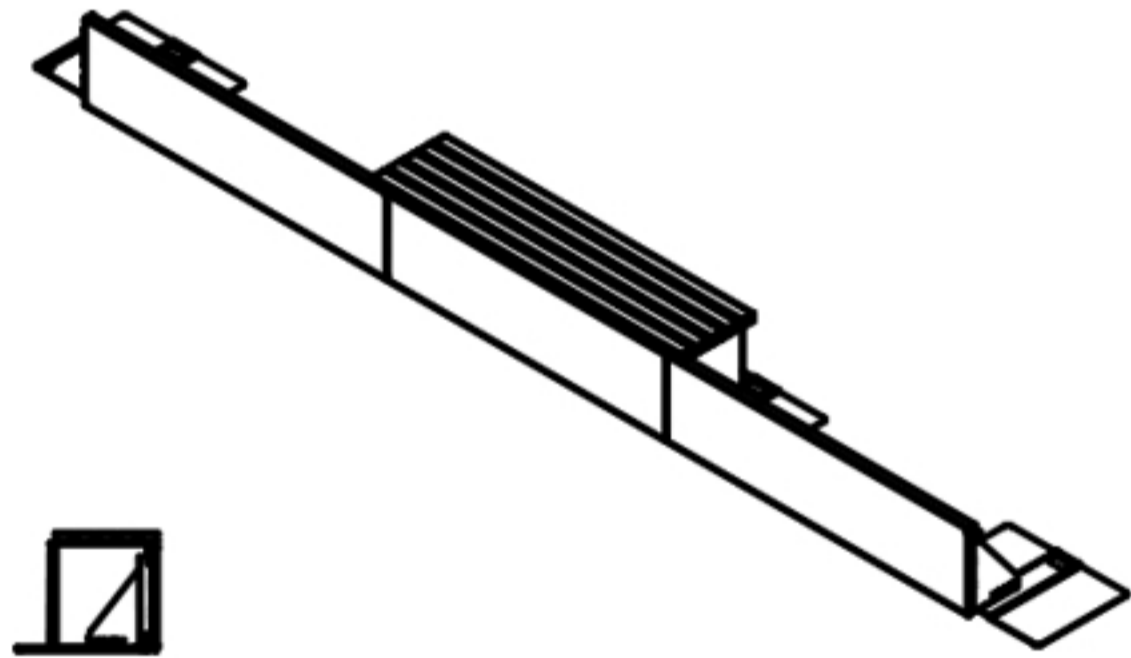
Modal Bench - 2050mm (L) x 480mm (W) x 450mm (Hight Above Ground)  
Modal Bench - Fixing Method - Direct Fasten to Planter Edging



Modal Integrated Bench

Stapel Planter Edging - 500mm (H)  
Fixing Method - Velox Rapid Edge

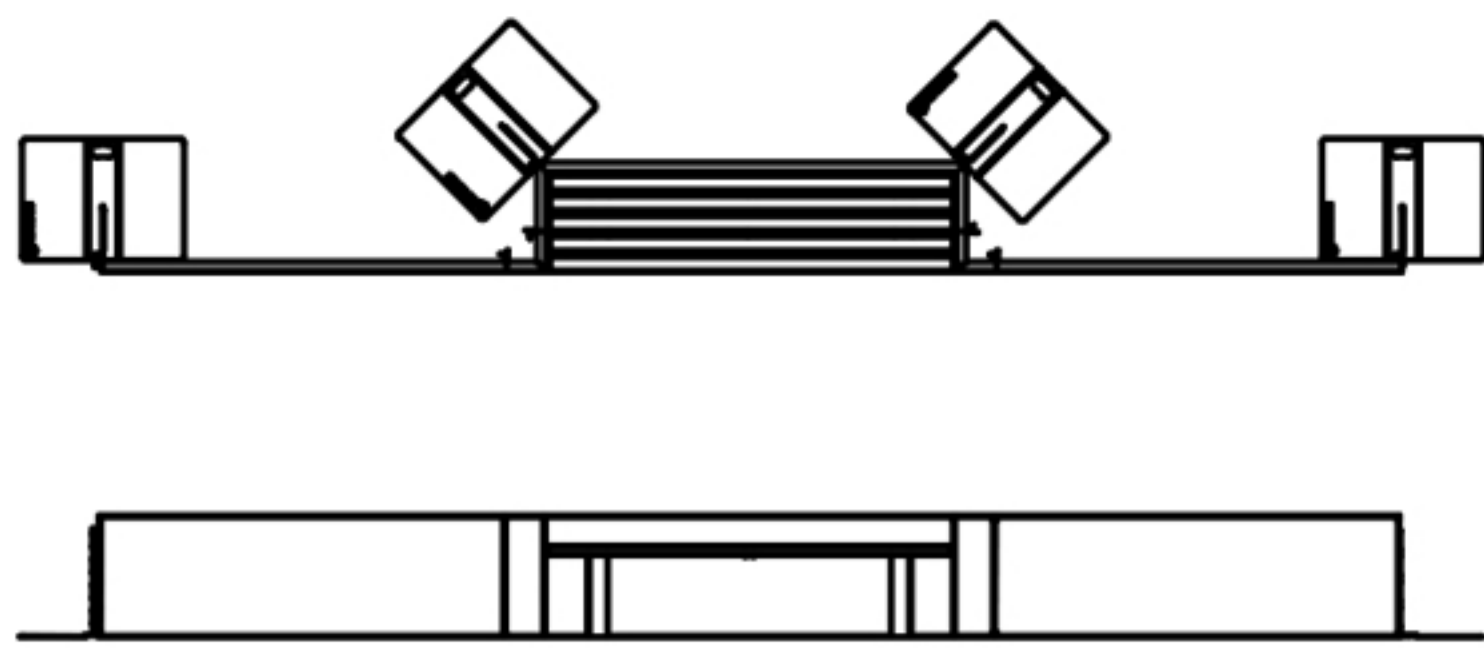
Modal Bench - 2050mm (L) x 480mm (W) x 450mm (Hight Above Ground)  
Modal Bench - Fixing Method - Direct Fasten to Planter Edging



Logic Manufactured Bespoke™  
technical@logic-bespoke.com  
www.logic-bespoke.com  
01642 373400

Velox Rapid Edge™ UK00003507705  
Patent no: GB2600394 & GB2614820  
Registered Design Europe: 008214910 & UK: 90082149100001

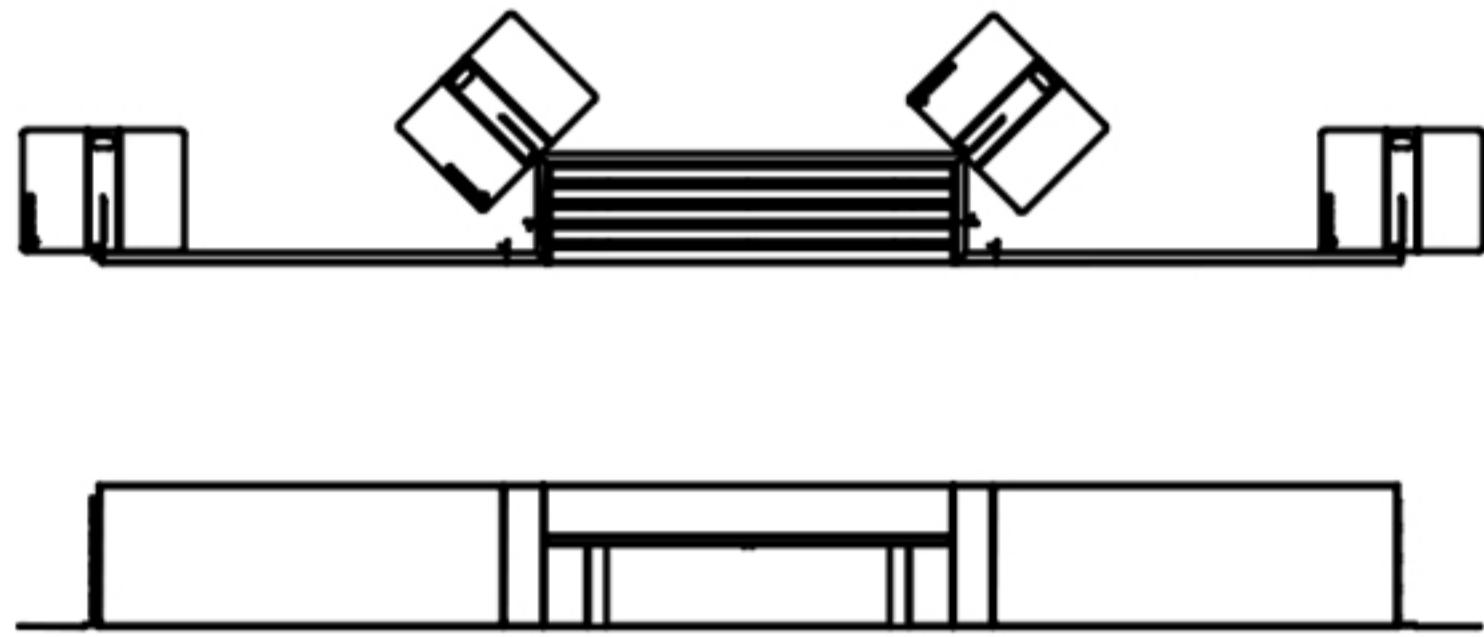
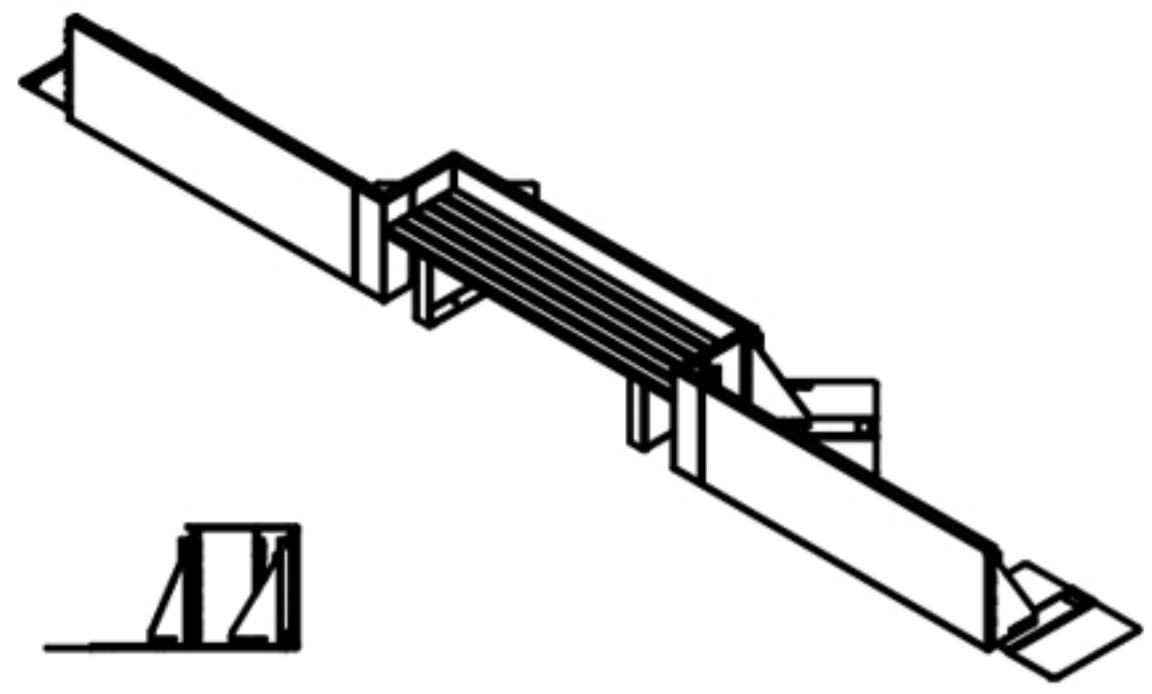
Contact the Technical Team for direct project input.  
**T:** 01642 373400  
**E:** technical@logic-bespoke.com



Modal Integrated Bench

Stapel Planter Edging - 600mm (H)  
Fixing Method - Velox Rapid Edge

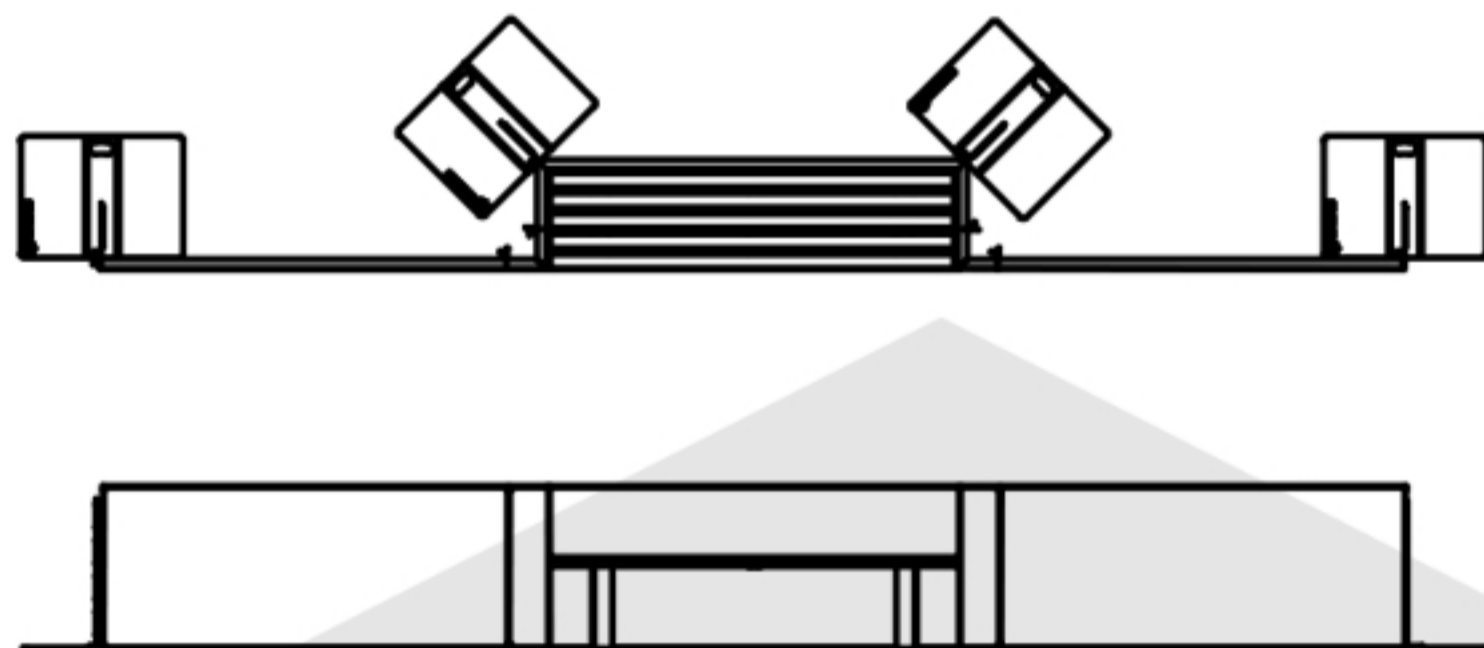
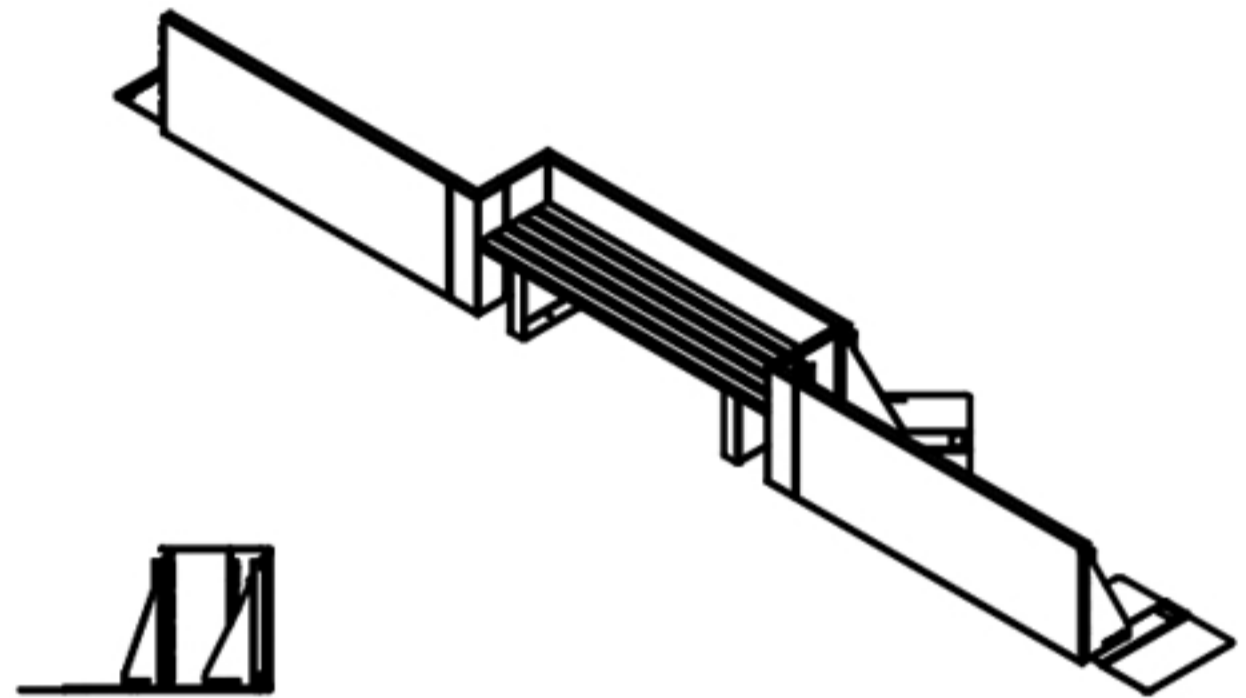
Modal Bench - 2050mm (L) x 480mm (W) x 450mm (Hight Above Ground)  
Modal Bench - Fixing Method - Direct Fasten to Planter Edging



Modal Integrated Bench

Stapel Planter Edging - 700mm (H)  
Fixing Method - Velox Rapid Edge

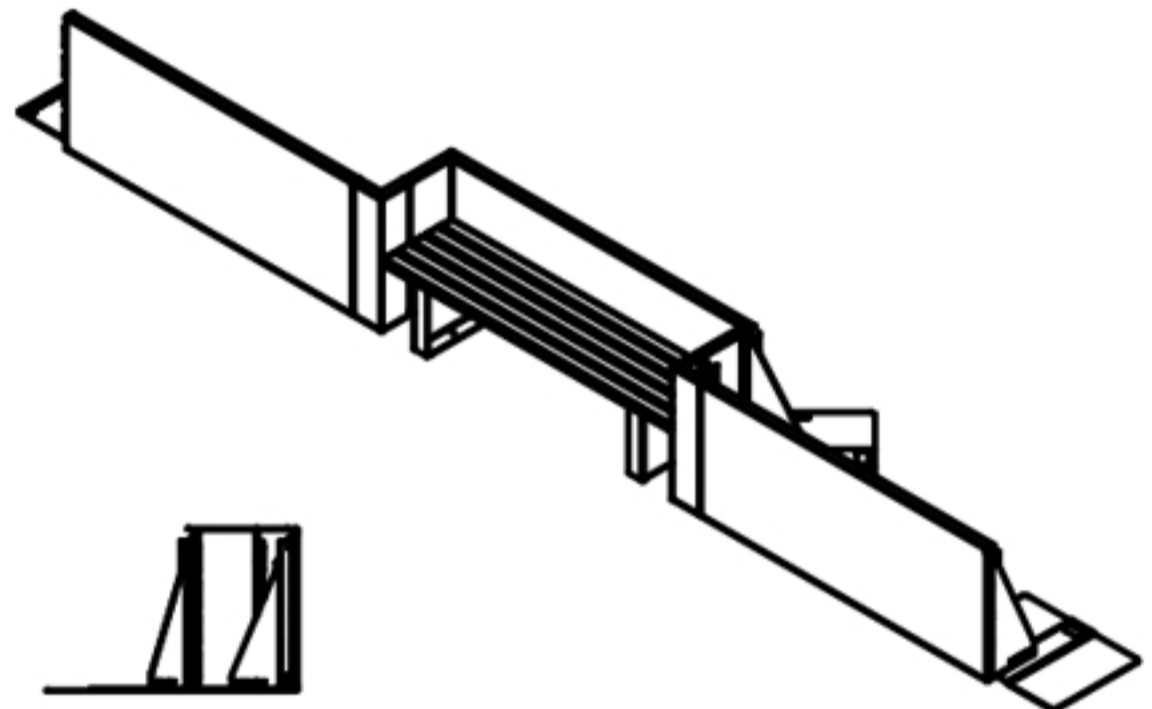
Modal Bench - 2050mm (L) x 480mm (W) x 450mm (Hight Above Ground)  
Modal Bench - Fixing Method - Direct Fasten to Planter Edging



Modal Integrated Bench

Stapel Planter Edging - 800mm (H)  
Fixing Method - Velox Rapid Edge

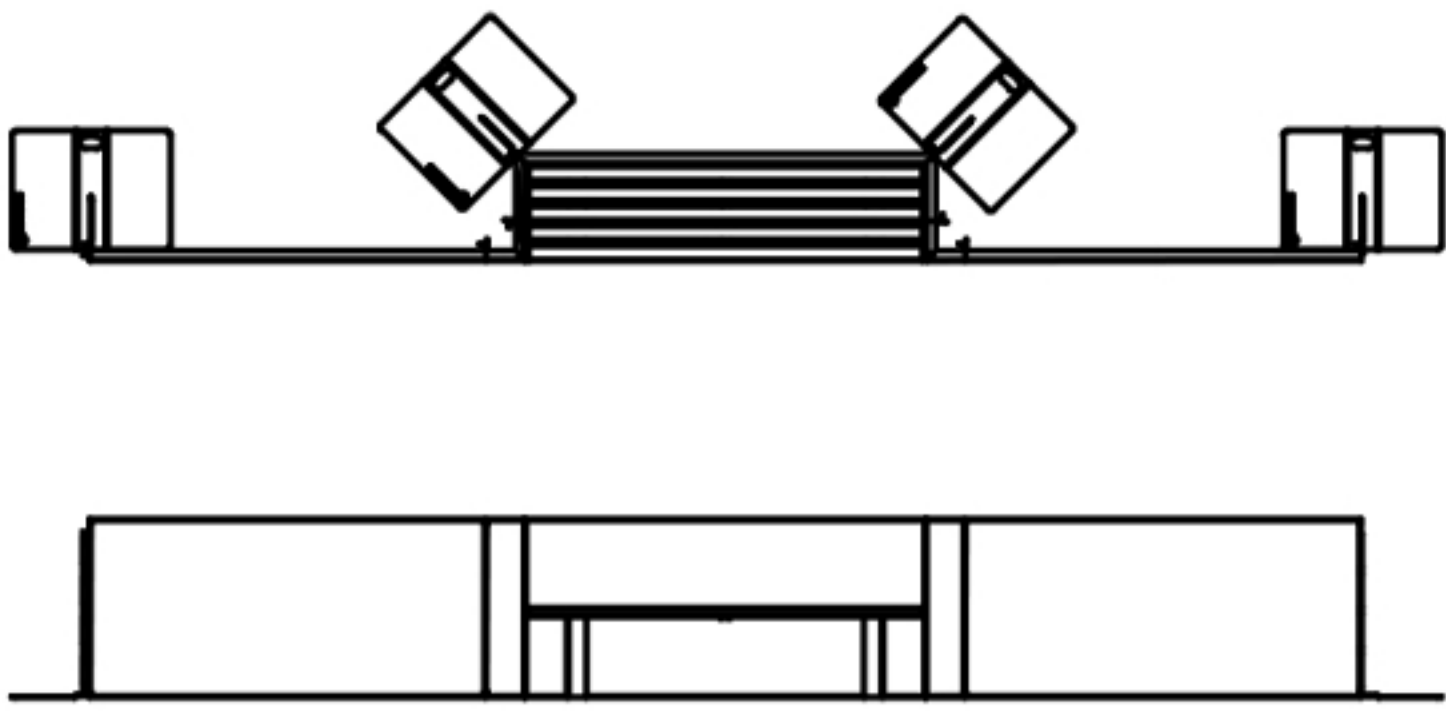
Modal Bench - 2050mm (L) x 480mm (W) x 450mm (Hight Above Ground)  
Modal Bench - Fixing Method - Direct Fasten to Planter Edging



Logic Manufactured Bespoke™  
technical@logic-bespoke.com  
www.logic-bespoke.com  
01642 373400

Velox Rapid Edge™ UK00003507705  
Patent no: GB2600394 & GB2614820  
Registered Design Europe: 008214910 & UK: 90082149100001

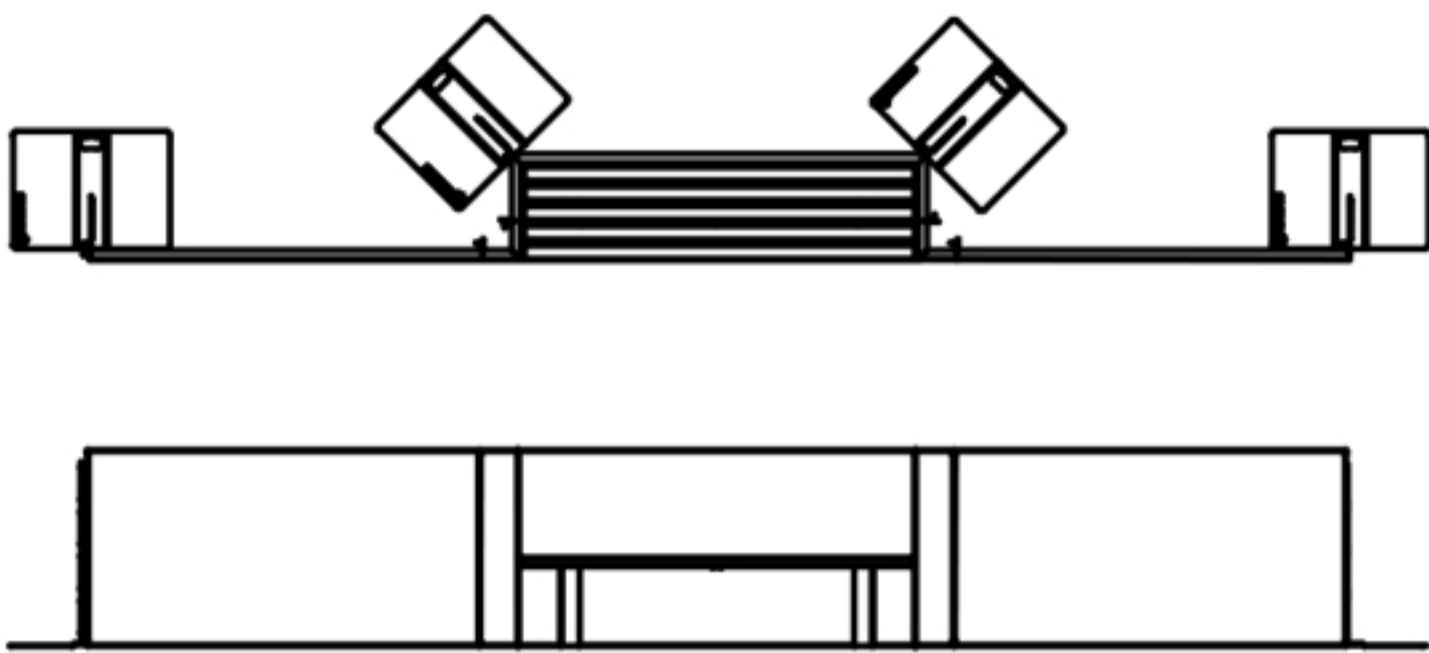
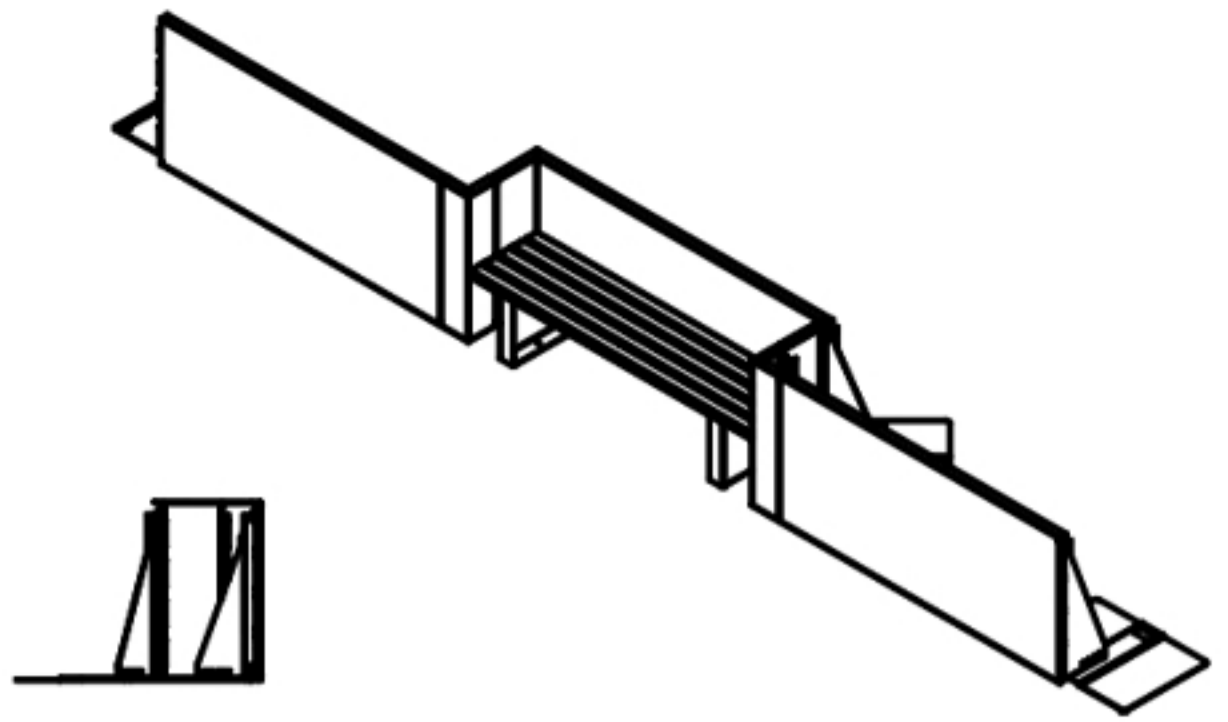
Contact the Technical Team for direct project input.  
**T:** 01642 373400  
**E:** technical@logic-bespoke.com



Modal Integrated Bench

Stapel Planter Edging - 900mm (H)  
Fixing Method - Velox Rapid Edge

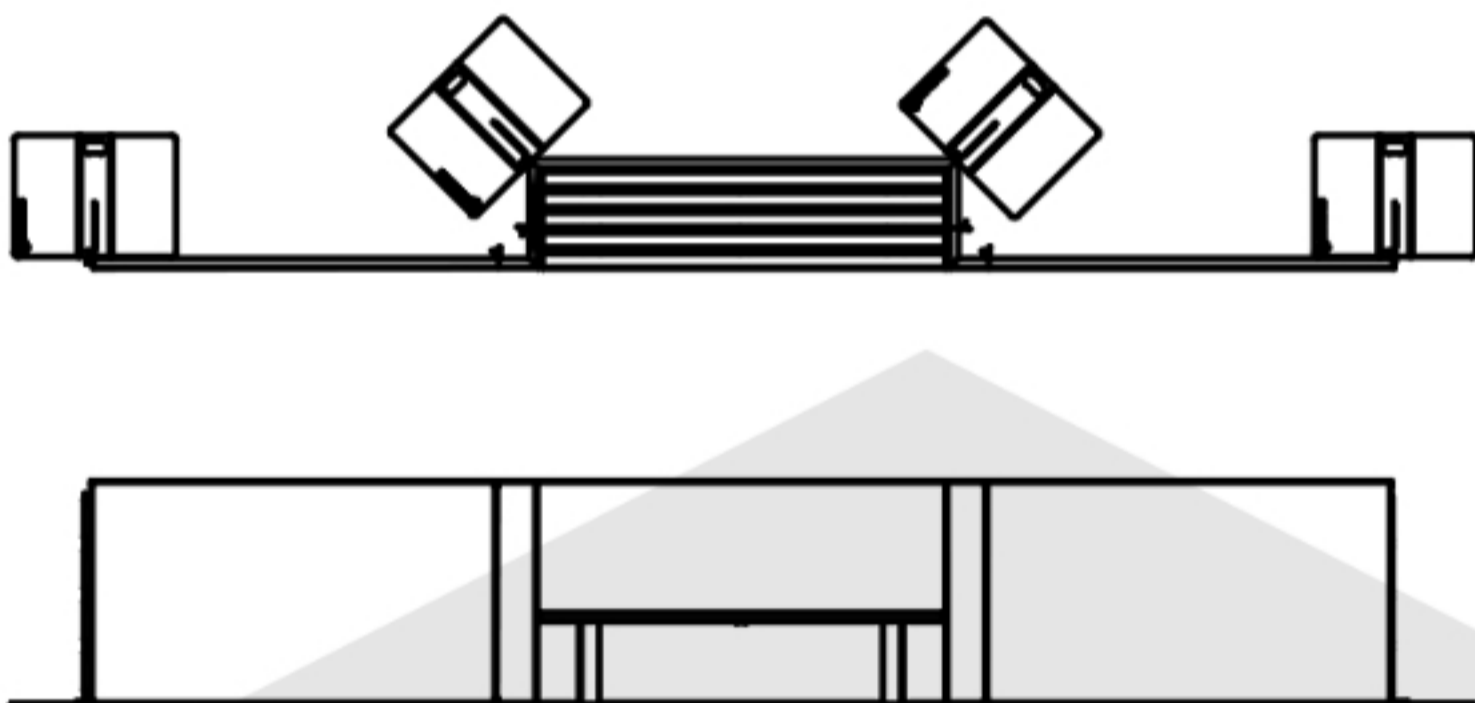
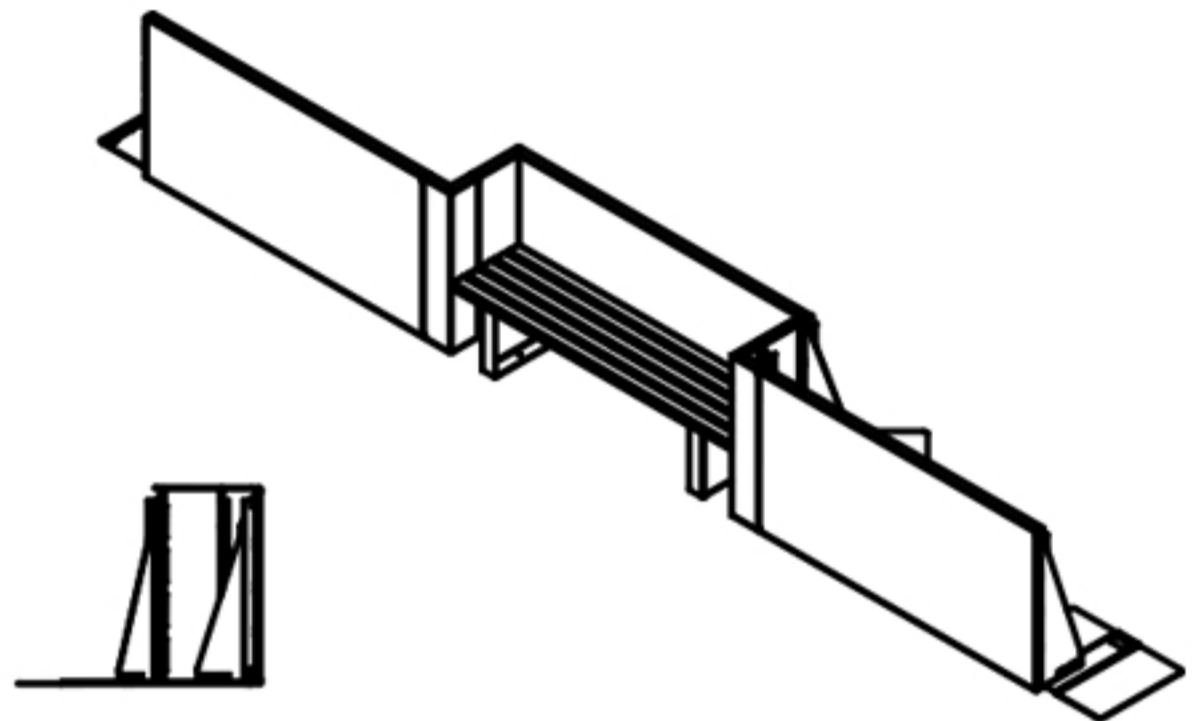
Modal Bench - 2050mm (L) x 480mm (W) x 450mm (Hight Above Ground)  
Modal Bench - Fixing Method - Direct Fasten to Planter Edging



Modal Integrated Bench

Stapel Planter Edging - 1000mm (H)  
Fixing Method - Velox Rapid Edge

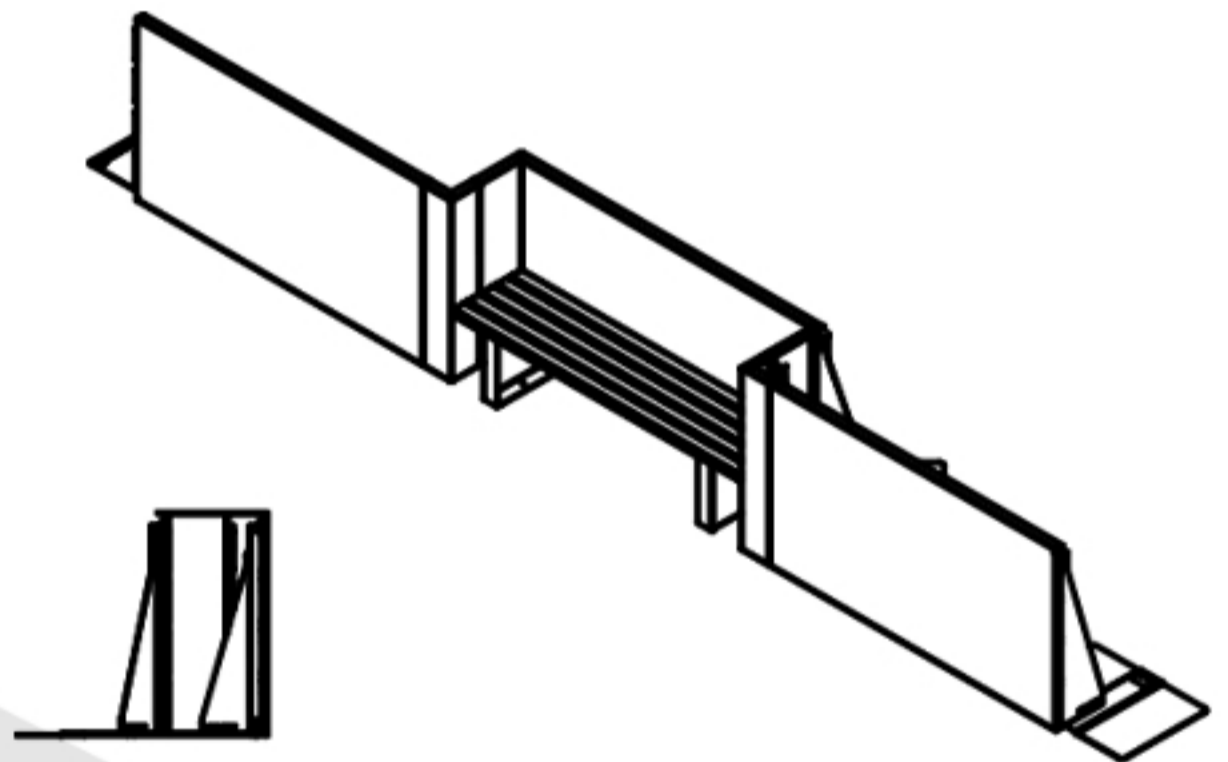
Modal Bench - 2050mm (L) x 480mm (W) x 450mm (Hight Above Ground)  
Modal Bench - Fixing Method - Direct Fasten to Planter Edging



Modal Integrated Bench

Stapel Planter Edging - 1100mm (H)  
Fixing Method - Velox Rapid Edge

Modal Bench - 2050mm (L) x 480mm (W) x 450mm (Hight Above Ground)  
Modal Bench - Fixing Method - Direct Fasten to Planter Edging



Logic Manufactured Bespoke™  
technical@logic-bespoke.com  
www.logic-bespoke.com  
01642 373400

Velox Rapid Edge™ UK00003507705  
Patent no: GB2600394 & GB2614820  
Registered Design Europe: 008214910 & UK: 90082149100001

Contact the Technical Team for direct project input.  
**T:** 01642 373400  
**E:** technical@logic-bespoke.com