

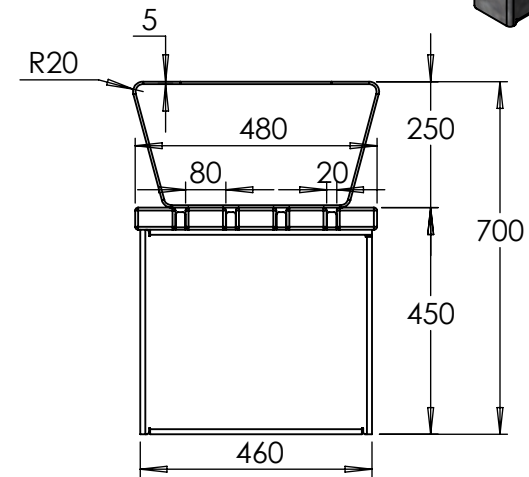
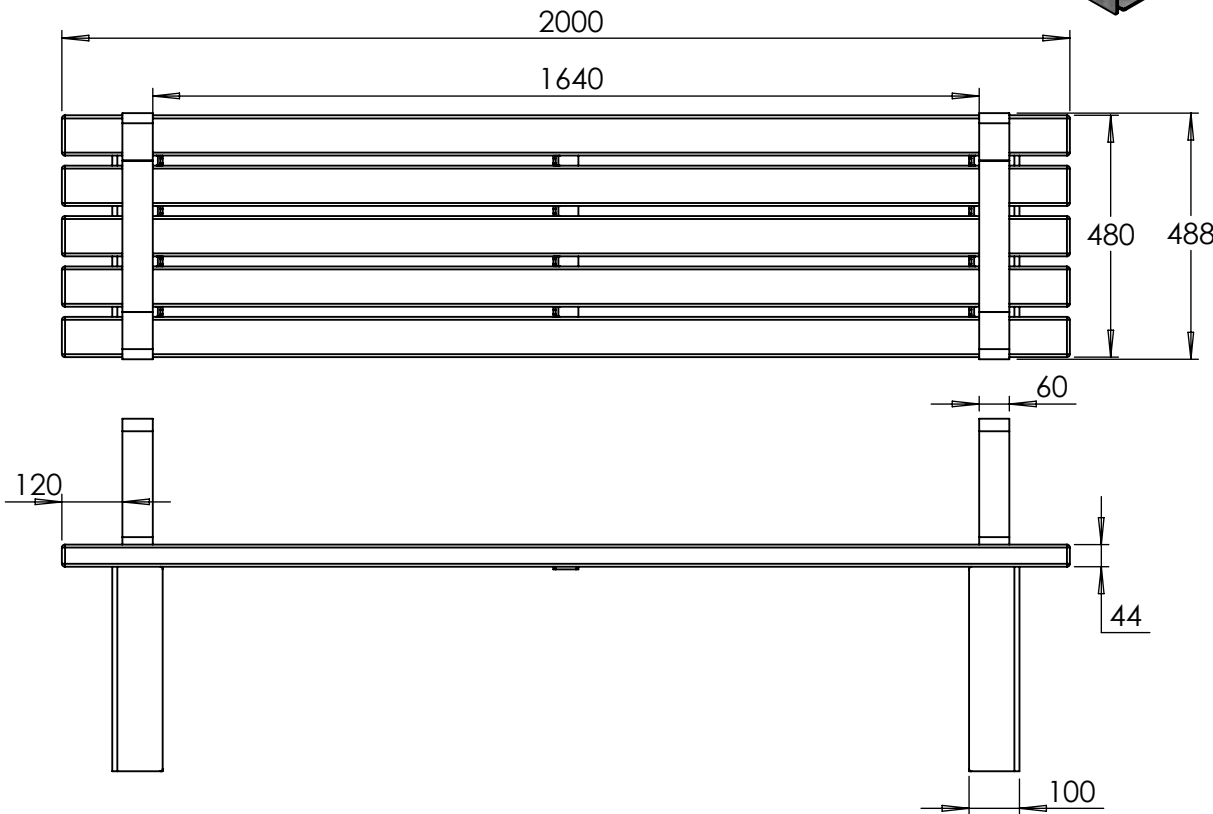
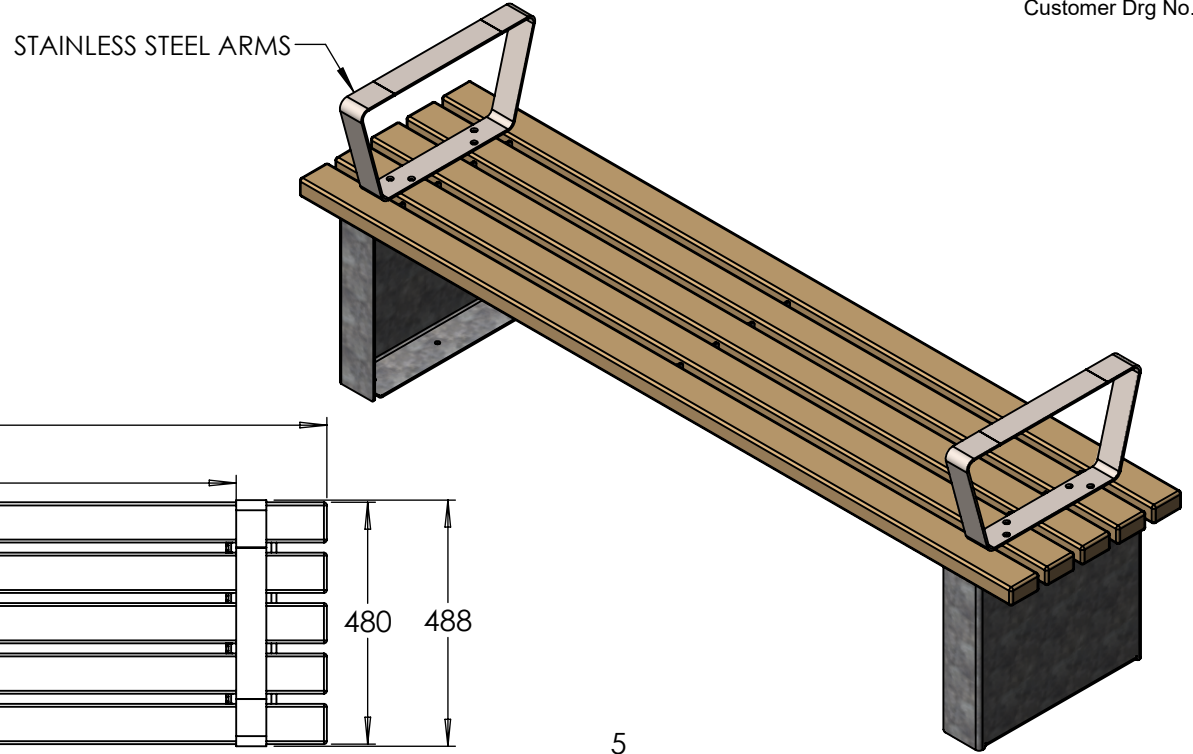


**VELOX Rapid Edge™ UK00003507705 / Patent no: GB2600394 / Registered Design - Europe: 008214910 & UK: 90082149100001** Above FFL | 0 mm Below FFL | 0 mm Quantity | --

Agreed Sub-base Material: Concrete Foundation Lateral Support:



REVISIONS			Drawn By	SA	Linear metre	mm	STAGE	2	Product MODAL BENCH	Project: Logic Download	 Logic Manufacture Bespoke™ 01642 373400 specification@logic-bespoke.com	Sheet No.	SIZE
REV.	AMENDMENTS/NOTE	DATE	PM										
P01	INITIAL ISSUE	29/11/2024	Timber		2000x80x44 - Option Dependent								
			Metal		3mm Steel - Option Dependent								
			Finish		Option Dependent								
TOLERANCE: All dimensions tolerance +/- 5mm			REV. P01		 <b>LOGIC MANUFACTURED BESPOKE™</b> <b>ALL RIGHTS RESERVED</b>			DWG. NO. Modal Seating		2 of 6 <b>A4</b>			

Timber Disclaimer: All timbers lose a degree of tanning, some more than others. Timber in an external environment is susceptible to cracking, shelling and moving due to the natural drying process, this does not take away from the durability of the product. In time timber may develop surface discolouration, this is caused by natural mould feeding on the tannins and should disperse as the timber dries and turns silver. Logic are not liable for this natural process and can not be held responsible for any of these natural processes. All products to be installed in conjunction with the supplied installation guide, following the steps & guidance. All Logic products will bear some form of company branding.

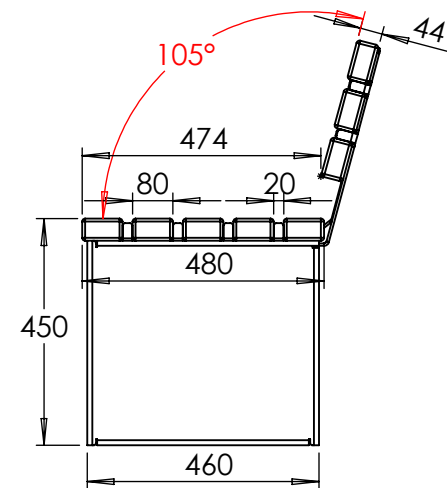
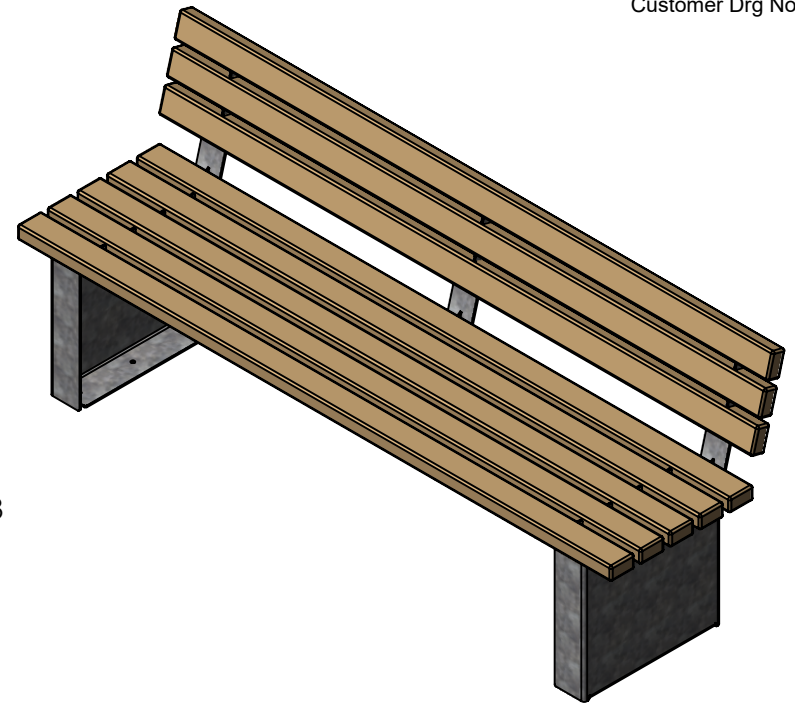
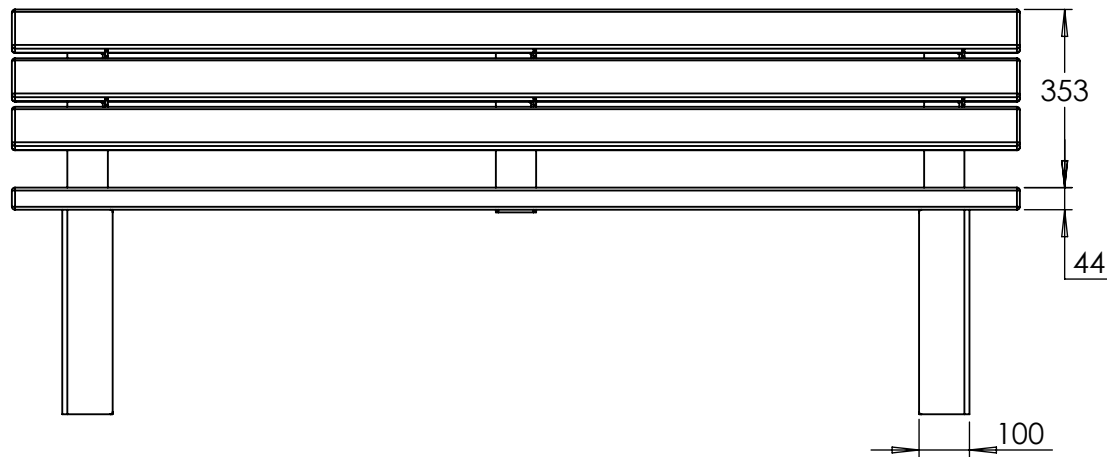
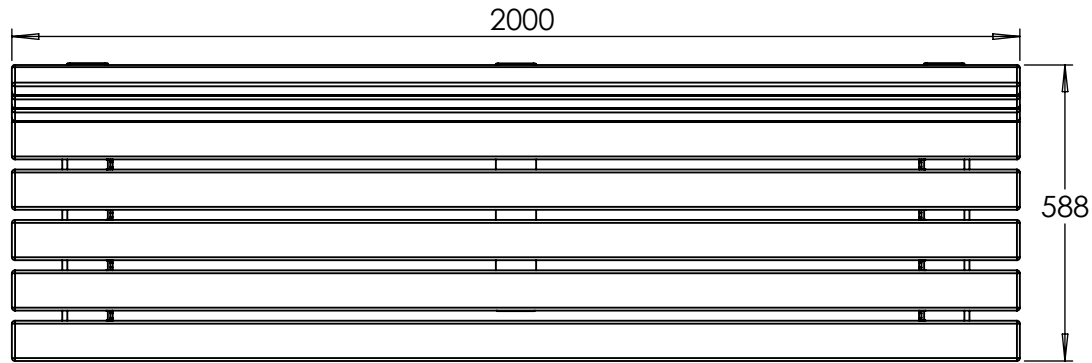


**VELOX Rapid Edge™ UK00003507705 / Patent no: GB2600394 / Registered Design - Europe: 008214910 & UK: 90082149100001** Above FFL | 0 mm Below FFL | 0 mm Quantity | --

Agreed Sub-base Material: Concrete Foundation Lateral Support:

REVISIONS			Drawn By	SA	Linear metre	mm	STAGE	2	Product Modal Bench Including Arms	Project: Logic Download	 Logic Manufacture Bespoke™ 01642 373400 specification@logic-bespoke.com	Sheet No.	SIZE
REV.	AMENDMENTS/NOTE	DATE	PM										
P01	INITIAL ISSUE		Timber		2000x80x44 - Option Dependent								
			Metal		3mm - Option Dependent								
			Finish		Option Dependent								
TOLERANCE: All dimensions tolerance +/- 5mm			REV. P01	 <b>LOGIC MANUFACTURED BESPOKE™</b> <b>ALL RIGHTS RESERVED</b>		DWG. NO. <b>Modal Seating</b>		Sheet No. 3 of 6	SIZE <b>A4</b>				

Timber Disclaimer: All timbers lose a degree of tanning, some more than others. Timber in an external environment is susceptible to cracking, shelling and moving due to the natural drying process, this does not take away from the durability of the product. In time timber may develop surface discolouration, this is caused by natural mould feeding on the tannins and should disperse as the timber dries and turns silver. Logic are not liable for this natural process and can not be held responsible for any of these natural processes. All products to be installed in conjunction with the supplied installation guide, following the steps & guidance. All Logic products will bear some form of company branding.



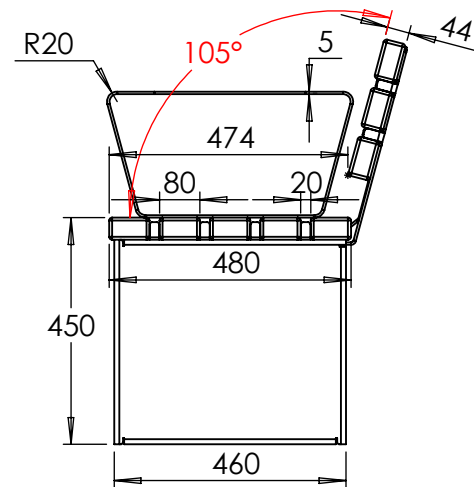
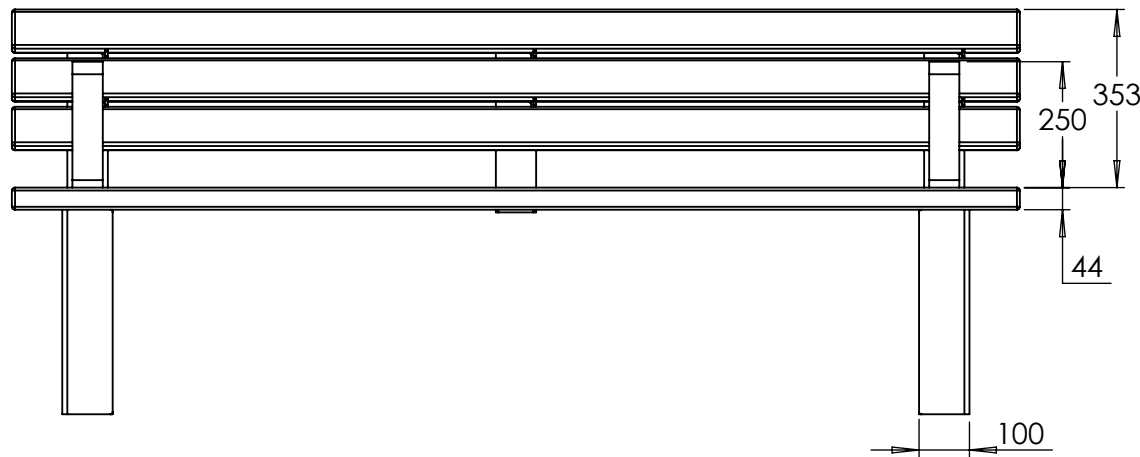
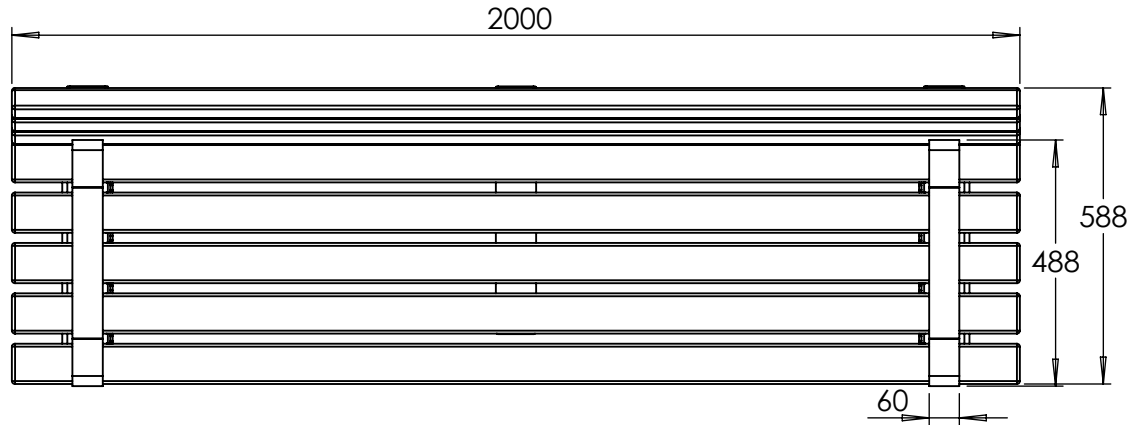
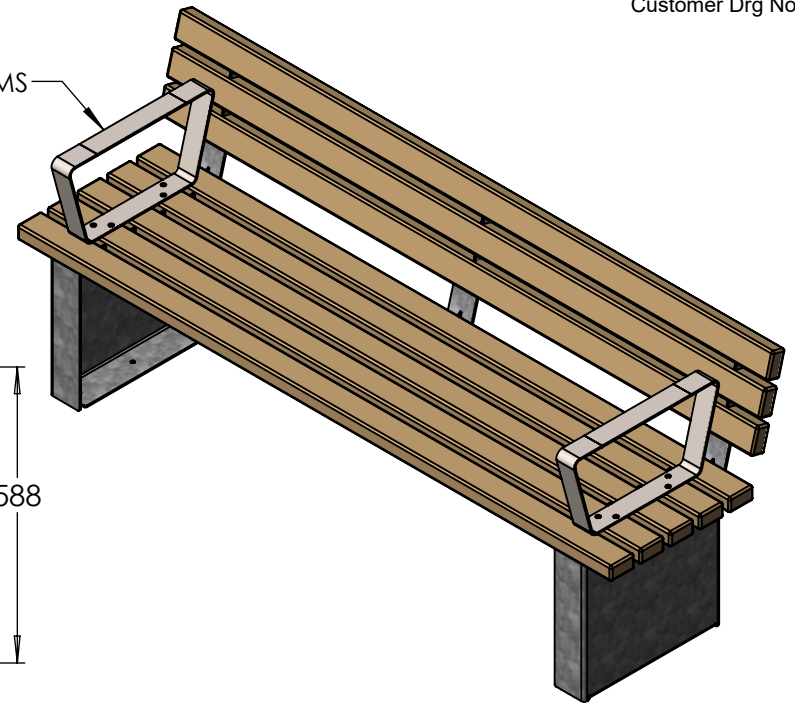
**VELOX Rapid Edge™ UK00003507705 / Patent no: GB2600394 / Registered Design - Europe: 008214910 & UK: 90082149100001** Above FFL | 0 mm Below FFL | 0 mm Quantity | --

Agreed Sub-base Material: Concrete Foundation Lateral Support:

REVISIONS			Drawn By	SA	Linear metre	mm	STAGE	2	Product Modal Seat	Project: Logic Download	 Logic Manufacture Bespoke™ 01642 373400 specification@logic-bespoke.com	Sheet No.	SIZE
REV.	AMENDMENTS/NOTE	DATE	PM										
P01	INITIAL ISSUE	29/11/2024	Timber		2000x80x44 - Option Dependent								
			Metal		3mm - Option Dependent								
			Finish		Option Dependent								
TOLERANCE: All dimensions tolerance +/- 5mm			REV. P01				<b>LOGIC MANUFACTURED BESPOKE™</b> <b>ALL RIGHTS RESERVED</b>		DWG. NO. Modal Seating		4 of 6	A4	

Timber Disclaimer: All timbers lose a degree of tanning, some more than others. Timber in an external environment is susceptible to cracking, shelling and moving due to the natural drying process, this does not take away from the durability of the product. In time timber may develop surface discolouration, this is caused by natural mould feeding on the tannins and should disperse as the timber dries and turns silver. Logic are not liable for this natural process and can not be held responsible for any of these natural processes. All products to be installed in conjunction with the supplied installation guide, following the steps & guidance. All Logic products will bear some form of company branding.

STAINLESS STEEL ARMS



VELOX Rapid Edge™ UK00003507705 / Patent no: GB2600394 / Registered Design - Europe: 008214910 & UK: 90082149100001 | Above FFL | 0 mm | Below FFL | 0 mm | Quantity | --

Agreed Sub-base Material: Concrete Foundation | Lateral Support:

REVISIONS			Drawn By	SA	Linear metre	mm	STAGE	2	Product Modal Seat Including Arms	Project: Logic Download	 Logic Manufacture Bespoke™ 01642 373400 specification@logic-bespoke.com	Sheet No.	SIZE
REV.	AMENDMENTS/NOTE	DATE	PM										
P01	INITIAL ISSUE	29/11/2024	Timber		2000x80x44 - Option Dependent								
			Metal		3mm - Option Dependent								
			Finish		Option Dependent								
TOLERANCE: All dimensions tolerance +/- 5mm			REV. P01		 <b>LOGIC MANUFACTURED BESPOKE™</b> <b>ALL RIGHTS RESERVED</b>			DWG. NO. Modal Seating		5 of 6	A4		

Timber Disclaimer: All timbers lose a degree of tanning, some more than others. Timber in an external environment is susceptible to cracking, shelling and moving due to the natural drying process, this does not take away from the durability of the product. In time timber may develop surface discolouration, this is caused by natural mould feeding on the tannins and should disperse as the timber dries and turns silver. Logic are not liable for this natural process and can not be held responsible for any of these natural processes. All products to be installed in conjunction with the supplied installation guide, following the steps & guidance. All Logic products will bear some form of company branding.