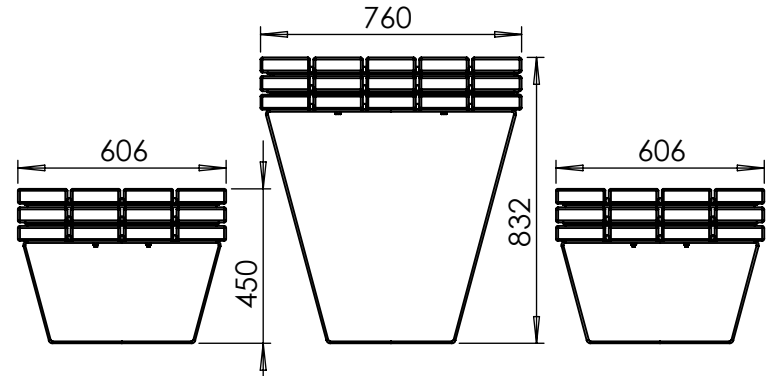
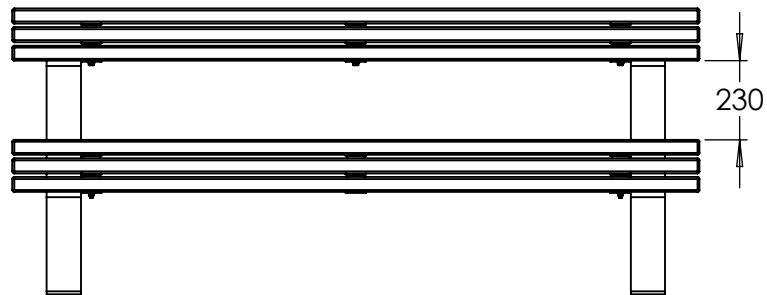
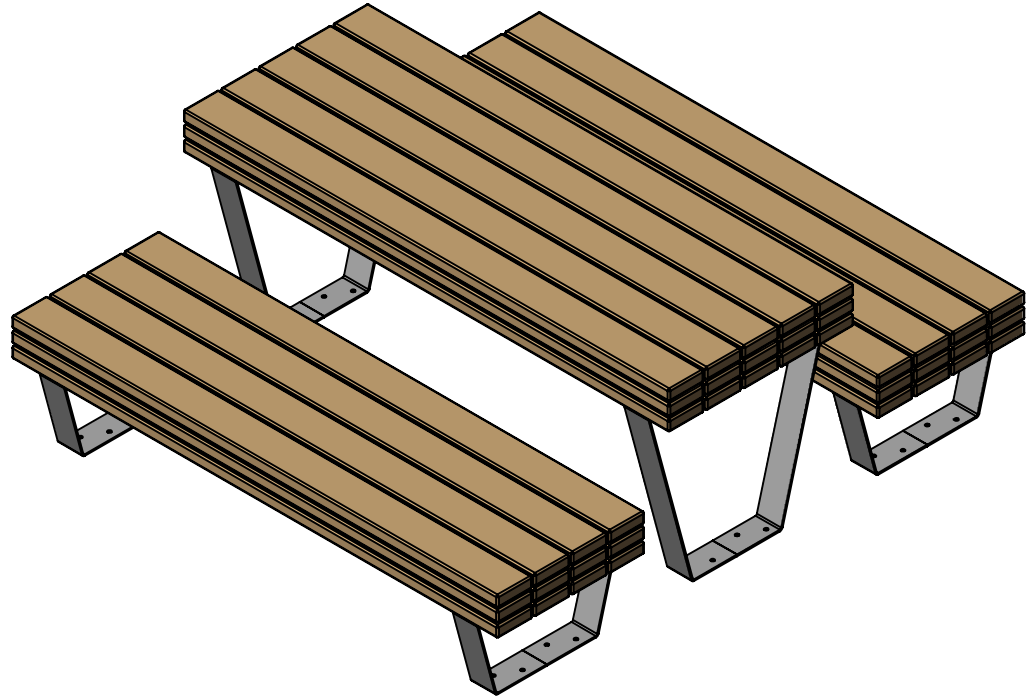
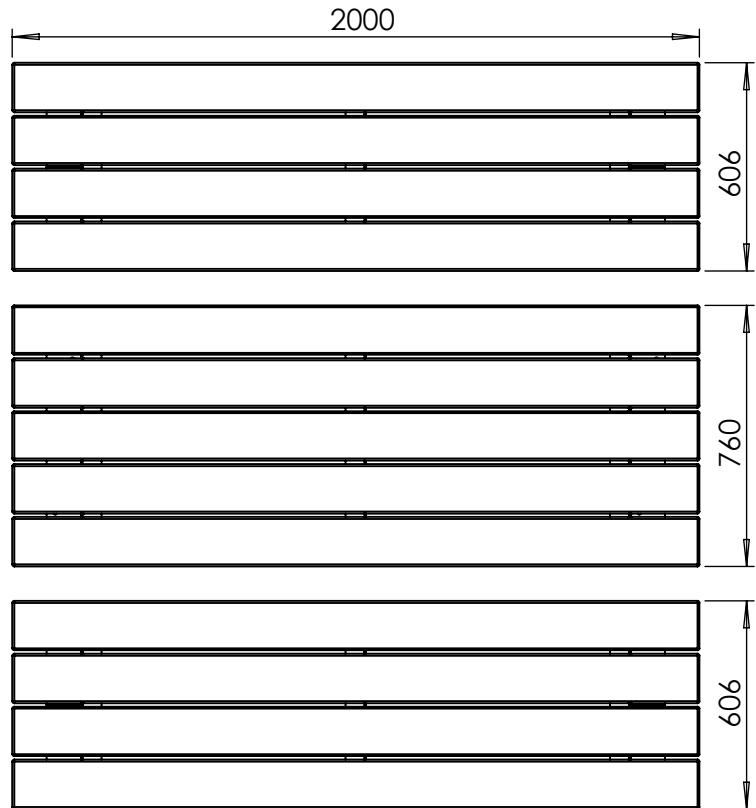


VELOX Rapid Edge™ UK00003507705 / Patent no: GB2600394 / Registered Design - Europe: 008214910 & UK: 90082149100001 | Above FFL | mm | Below FFL | mm | Quantity |

Agreed Sub-base Material: | Lateral Support:



REVISIONS			Drawn By	SA	Linear metre	mm	STAGE	Product Plano Table	Project: Website Download	 Logic Manufacture Bespoke™ 01642 373400 specification@logic-bespoke.com	Sheet No.	SIZE
REV.	AMENDMENTS/NOTE	DATE	PM	CJ								
P01	INITIAL ISSUE		Timber	2000x144x44 Pencil Round (Option Dependent)								
			Metal	Option Dependent								
			Finish	Option Dependent								
TOLERANCE: All dimensions tolerance +/- 5mm			REV. P01		LOGIC MANUFACTURED BESPOKE™ ALL RIGHTS RESERVED			Plano Table			2 of 4	A4

Timber Disclaimer: All timbers lose a degree of tanning, some more than others. Timber in an external environment is susceptible to cracking, shelling and moving due to the natural drying process, this does not take away from the durability of the product. In time timber may develop surface discolouration, this is caused by natural mould feeding on the tannins and should disperse as the timber dries and turns silver. Logic are not liable for this natural process and can not be held responsible for any of these natural processes. All products to be installed in conjunction with the supplied installation guide, following the steps & guidance. All Logic products will bear some form of company branding.



VELOX Rapid Edge™ UK00003507705 / Patent no: GB2600394 / Registered Design - Europe: 008214910 & UK: 90082149100001 | Above FFL | mm | Below FFL | mm | Quantity |

Agreed Sub-base Material: | Lateral Support:

REVISIONS			Drawn By	SA	Linear metre	mm	STAGE	Product Plano Table & Bench	Project: Website Download	 Logic Manufacture Bespoke™ 01642 373400 specification@logic-bespoke.com	Sheet No.	SIZE
REV.	AMENDMENTS/NOTE	DATE	PM	CJ								
P01	INITIAL ISSUE		Timber	2000x144x44 Pencil Round (Option Dependent)								
			Metal	Option Dependent								
			Finish	Option Dependent								
TOLERANCE: All dimensions tolerance +/- 5mm			REV. P01		 LOGIC MANUFACTURED BESPOKE™ ALL RIGHTS RESERVED			DWG. NO. Plano Table		3 of 4	A4	

Timber Disclaimer: All timbers lose a degree of tanning, some more than others. Timber in an external environment is susceptible to cracking, shelling and moving due to the natural drying process, this does not take away from the durability of the product. In time timber may develop surface discolouration, this is caused by natural mould feeding on the tannins and should disperse as the timber dries and turns silver. Logic are not liable for this natural process and can not be held responsible for any of these natural processes. All products to be installed in conjunction with the supplied installation guide, following the steps & guidance. All Logic products will bear some form of company branding.