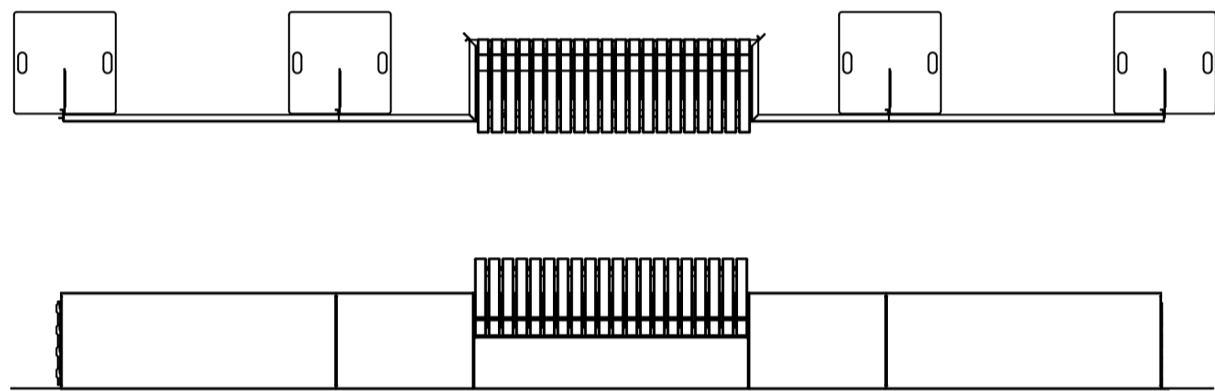
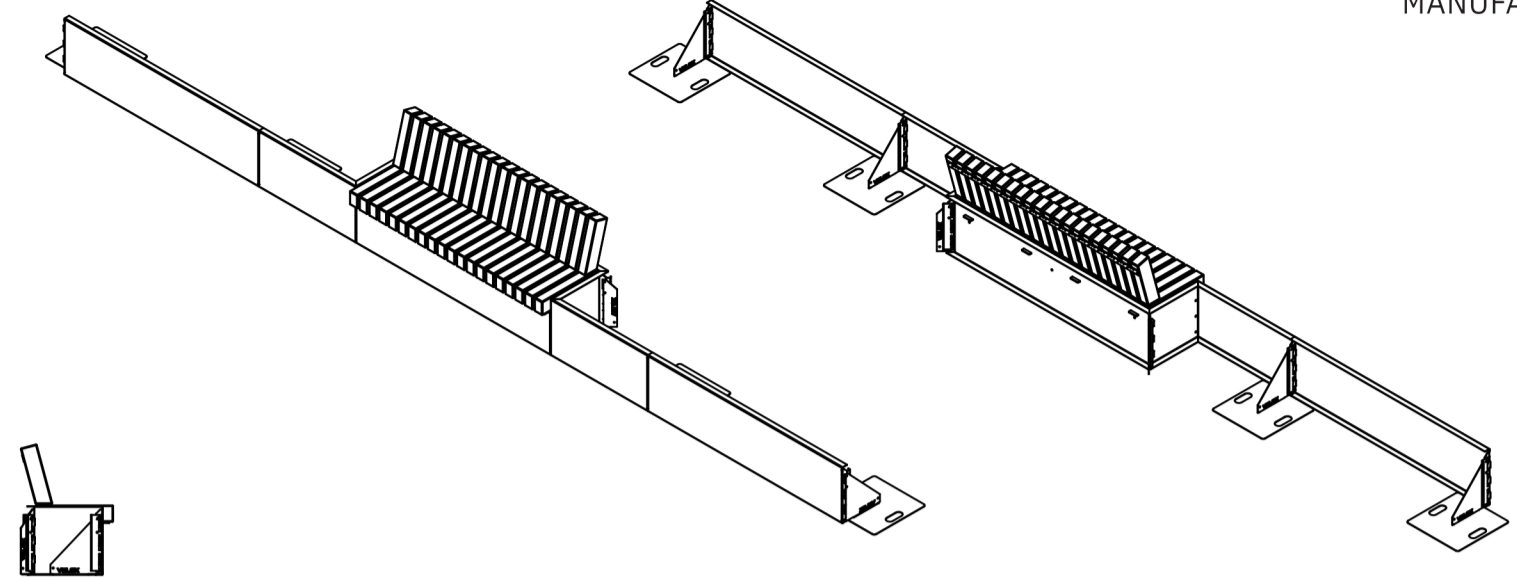
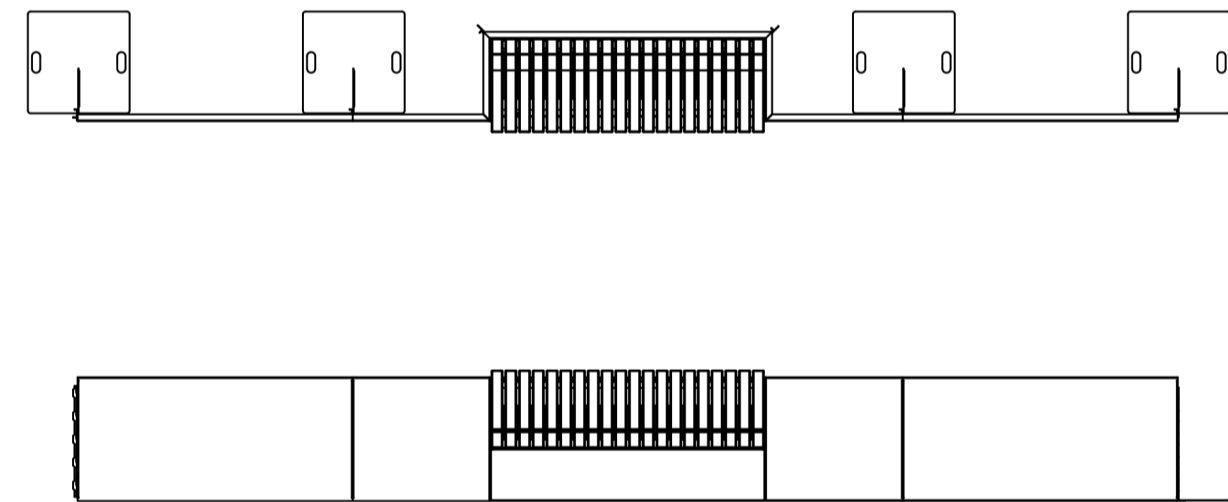
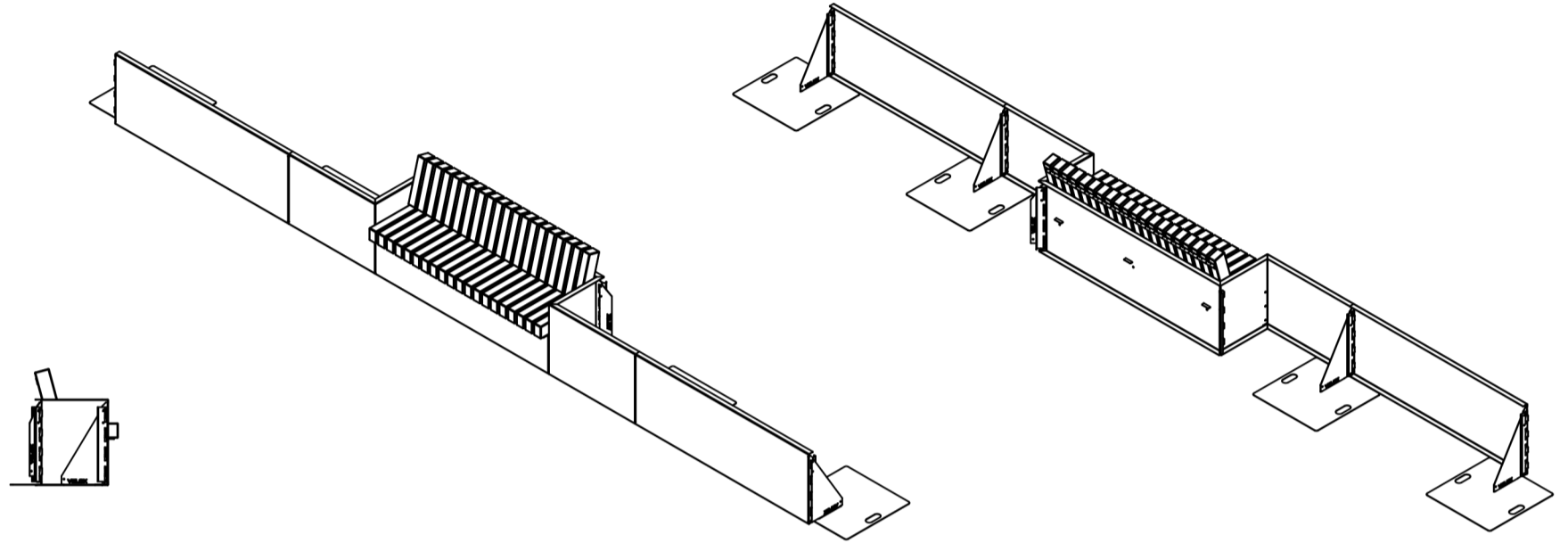


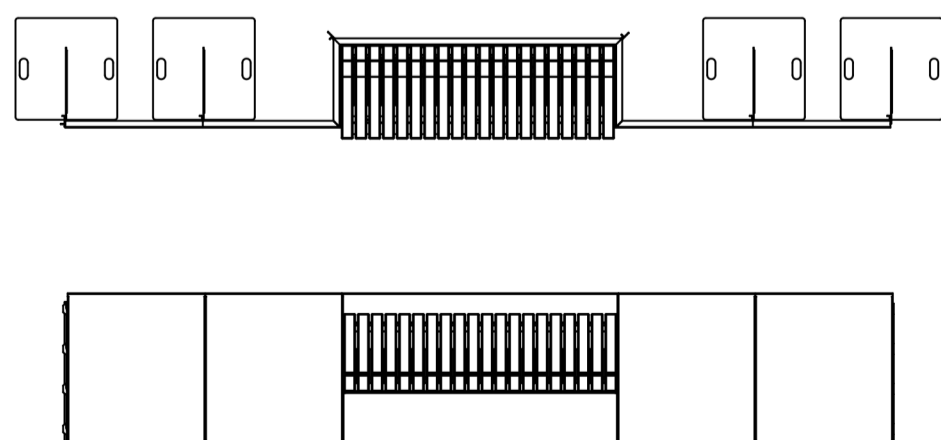
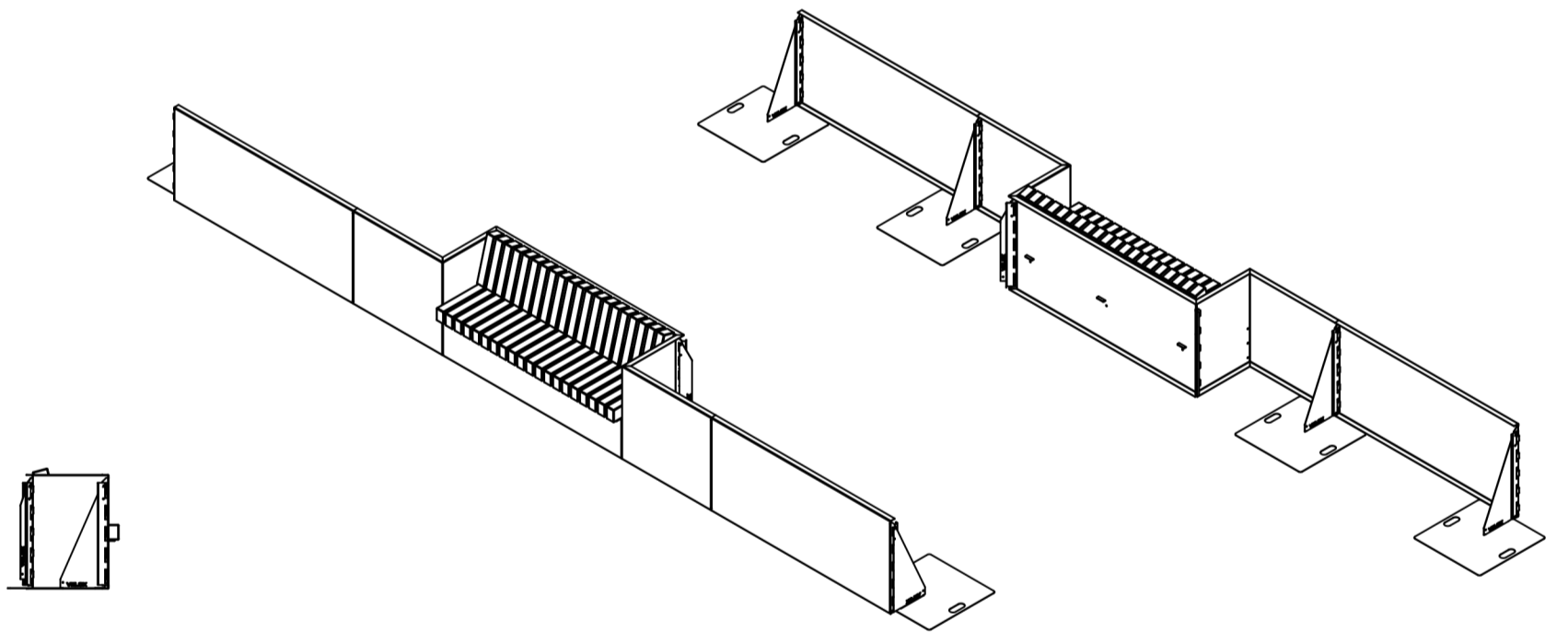
Platou Integrated Seat - 520mm (H) Stapel Raised Edge
 Vexox Rapid Edge™ system
 Logic Manufactured Bespoke™
 specification@logic-bespoke.com
 www.logic-bespoke.com
 01642 373400
 All base plates indicative & size
 calculated per scheme requirements
 VELOX Rapid Edge™ UK00003507705 Patent no. GB2000394
 Registered Design - Europe: 000214910 & UK: 90002149100001



Platou Integrated Seat - 700mm (H) Stapel Raised Edge
 Vexox Rapid Edge™ system
 Logic Manufactured Bespoke™
 specification@logic-bespoke.com
 www.logic-bespoke.com
 01642 373400
 All base plates indicative & size
 calculated per scheme requirements
 VELOX Rapid Edge™ UK00003507705 Patent no. GB2000394
 Registered Design - Europe: 000214910 & UK: 90002149100001



Platou Integrated Seat - 900mm (H) Stapel Raised Edge
 Vexox Rapid Edge™ system
 Logic Manufactured Bespoke™
 specification@logic-bespoke.com
 www.logic-bespoke.com
 01642 373400
 All base plates indicative & size
 calculated per scheme requirements
 VELOX Rapid Edge™ UK00003507705 Patent no. GB2000394
 Registered Design - Europe: 000214910 & UK: 90002149100001



Platou Integrated Seat - 1100mm (H) Stapel Raised Edge
 Vexox Rapid Edge™ system
 Logic Manufactured Bespoke™
 specification@logic-bespoke.com
 www.logic-bespoke.com
 01642 373400
 All base plates indicative & size
 calculated per scheme requirements
 VELOX Rapid Edge™ UK00003507705 Patent no. GB2000394
 Registered Design - Europe: 000214910 & UK: 90002149100001

