

VELOX Rapid Edge™ UK00003507705 / Patent no: GB2600394 / Registered Design - Europe: 008214910 & UK: 90082149100001 | Above FFL | mm | Below FFL | mm | Quantity | 1

Agreed Sub-base Material:

Lateral Support:

REVISIONS			Drawn By	SA	Linear metre	mm	STAGE	2
REV.	AMENDMENTS/NOTE	DATE	PM					
P01	INITIAL ISSUE		Timber	Optional Timber Types - 6mm Pencil Round				
			Metal	5mm Mild Steel - Galvanised				
			Finish	Powder Coated RAL7016 / Natural Timber				
TOLERANCE: All dimensions tolerance +/- 5mm			REV. P01	LOGIC MANUFACTURED BESPOKE™ ALL RIGHTS RESERVED				

Product
Plateau Seat

Project:
Website Drawing

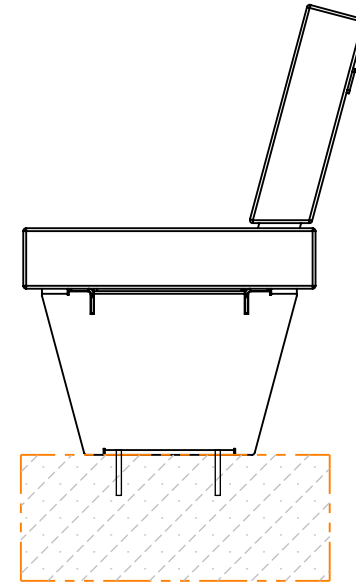
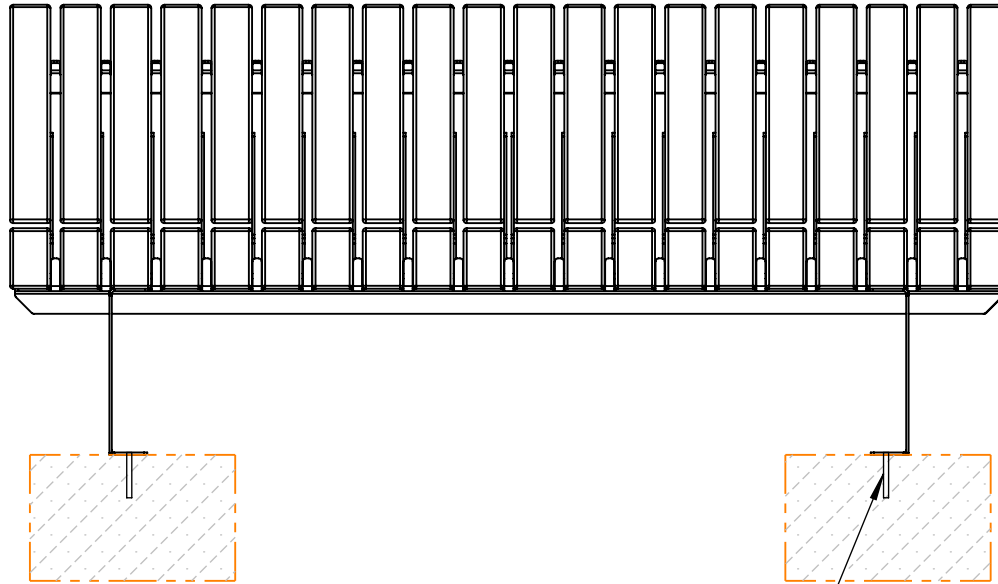
LOGIC™
MANUFACTURED BESPOKE

Logic Manufacture Bespoke™
01642 373400 specification@logic-bespoke.com

DWG. NO. | Sheet No. | SIZE

Plateau Seat - 1980x580 | 1 of 2 | A4



Timber Disclaimer: All timbers lose a degree of tanning, some more than others. Timber in an external environment is susceptible to cracking, shelling and moving due to the natural drying process, this does not take away from the durability of the product. In time timber may develop surface discolouration, this is caused by natural mould feeding on the tannins and should disperse as the timber dries and turns silver. Logic are not liable for this natural process and can not be held responsible for any of these natural processes. All products to be installed in conjunction with the supplied installation guide, following the steps & guidance. All Logic products will bear some form of company branding.



THE BENCH LEGS ARE FIXED TO THE CONCRETE PAD VIA M10 X 90mm GROUND FIXING BOLT

VELOX Rapid Edge™ UK00003507705 / Patent no: GB2600394 / Registered Design - Europe: 008214910 & UK: 90082149100001 Above FFL mm Below FFL mm Quantity 1

Agreed Sub-base Material: Lateral Support:

REVISIONS			Drawn By	SA	Linear metre	mm	STAGE	2	Product Plateau Seat	Project: Website Drawing	 Logic Manufacture Bespoke™ 01642 373400 specification@logic-bespoke.com	Sheet No.	SIZE
REV.	AMENDMENTS/NOTE	DATE	PM										
P01	INITIAL ISSUE		Timber		Optional Timber Types - 6mm Pencil Round						DWG. NO.	2 of 2	A4
			Metal		5mm Mild Steel - Galvanised						Plateau Seat - 1980x580		
			Finish		Powder Coated RAL7016 / Natural Timber								
TOLERANCE: All dimensions tolerance +/- 5mm			REV. P01	 LOGIC MANUFACTURED BESPOKE™ ALL RIGHTS RESERVED									

Timber Disclaimer: All timbers lose a degree of tanning, some more than others. Timber in an external environment is susceptible to cracking, shelling and moving due to the natural drying process, this does not take away from the durability of the product. In time timber may develop surface discolouration, this is caused by natural mould feeding on the tannins and should disperse as the timber dries and turns silver. Logic are not liable for this natural process and can not be held responsible for any of these natural processes. All products to be installed in conjunction with the supplied installation guide, following the steps & guidance. All Logic products will bear some form of company branding.