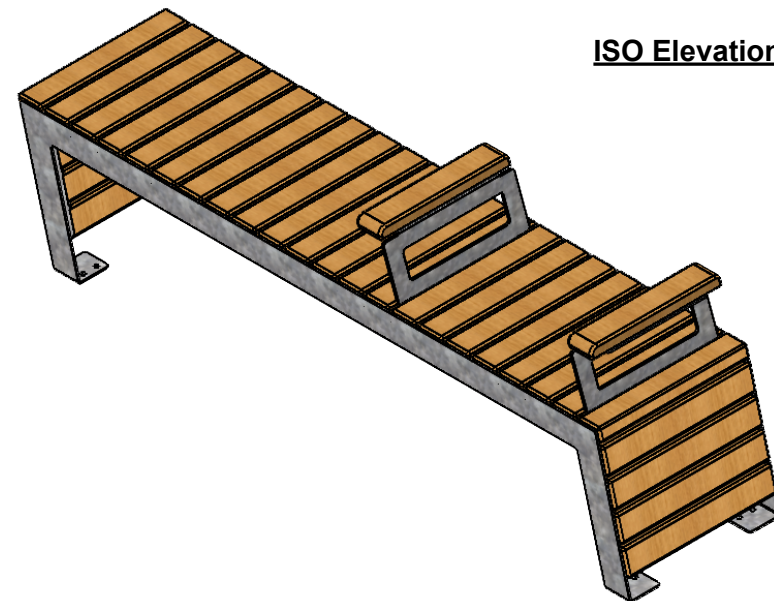
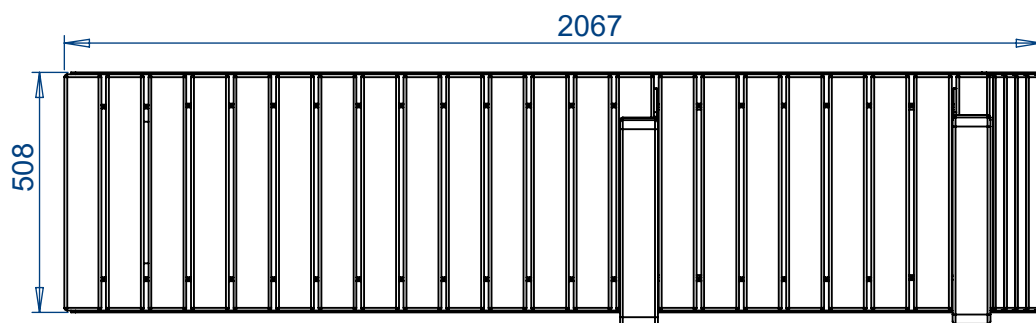


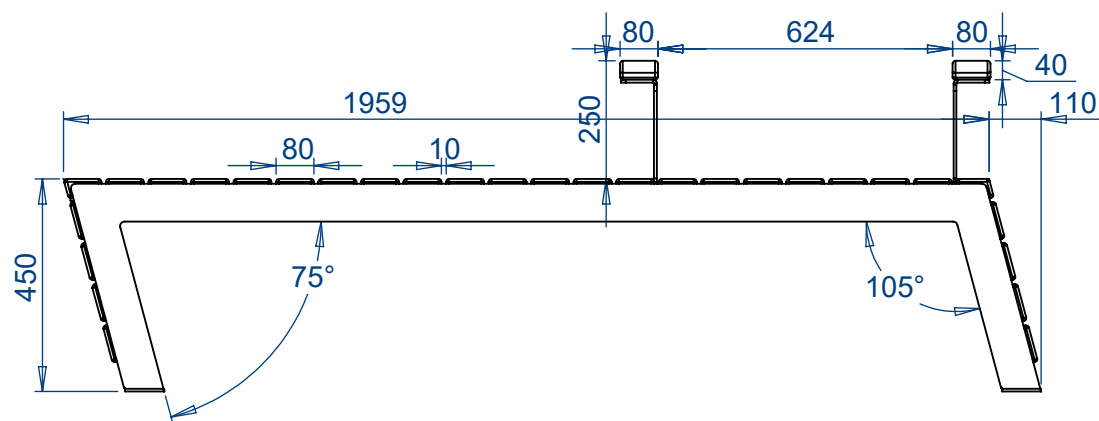
ISO Elevation



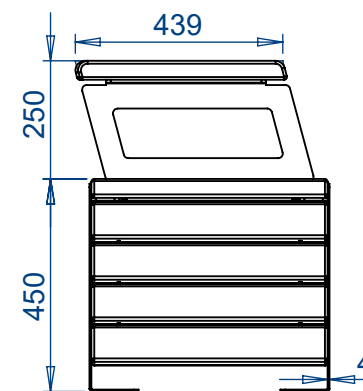
Plan Elevation




Front Elevation



Side Elevation



REVISIONS			DRAWN	SA	Product S162 Linear Bench & 2 Arms			
REV	AMENDMENTS/ NOTE	DATE	DATE	04/12/2020			Opportunity Name ----	Logic Manufacture Bespoke Phone: 01642 373400 Email: hello@logic-bespoke.com
-	-	///	Timber	Sustainable UK Grown Timber, Pencil Round	DWG. NO.	REV 1		
-	-	///	Metal	4mm Mild Steel Galvanised	LOG.S162.002	SIZE A4		
-	-	///	WEIGHT	81 KG		LOGIC STREET FURNITURE ALL RIGHTS RESERVED		
-	-	///	DO NOT SCALE DRAWINGS			TOLERANCE: All dimensions tolerance +/- 5mm		

Timber Disclaimer: All hardwood timbers lose a degree of tanning, some more than others. Hardwood in an external environment is susceptible to cracking, shelling and moving due to the natural drying process, this does not take away from the durability of the product. In time hardwood may develop surface discolouration, this is caused by natural mould feeding on the tannins and should disperse as the timber dries and turns silver. Logic are not liable for this natural process and can not be held responsible for any of the processes listed. All Logic products will bear some form of company branding