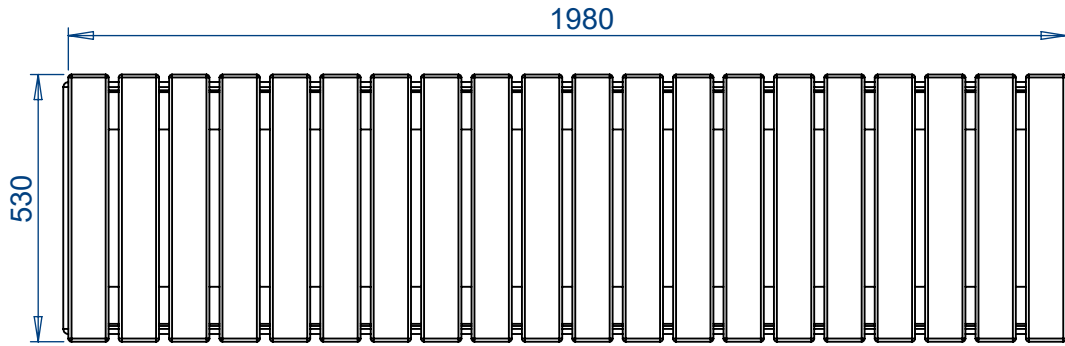
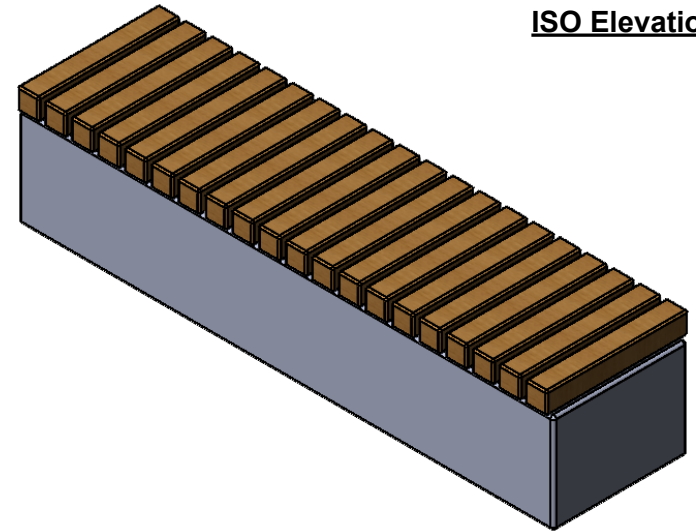


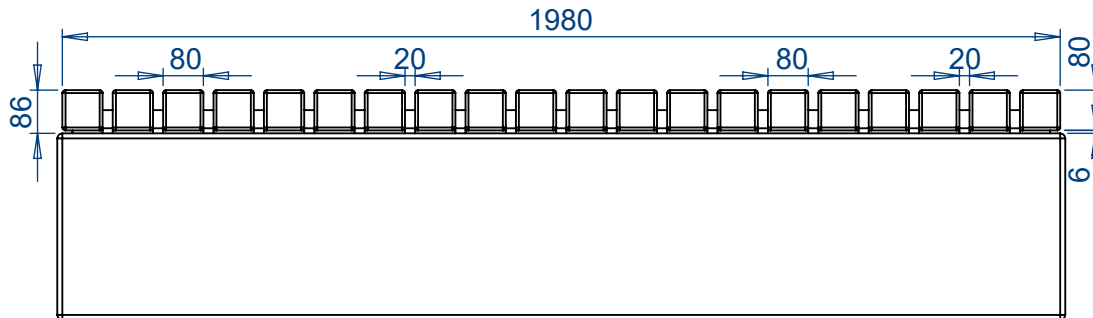
Plan Elevation



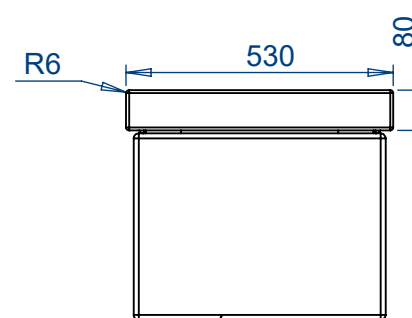
ISO Elevation



Front Elevation



Side Elevation



Concrete by others

REVISIONS			DRAWN	SA
REV	AMENDMENTS/ NOTE	DATE	DATE	07/12/2020
-	-	//	Timber	Sustainable UK Grown Timber, Pencil Round
-	-	//	Metal	6mm Mild Steel Galvanised
-	-	//	WEIGHT	65 KG
-	-	//	LOGIC STREET FURNITURE ALL RIGHTS RESERVED	
TOLERANCE: All dimensions tolerance +/- 5mm				

Product	S184 Plateu Wall Bench
Opportunity Name	----

Logic Manufacture Bespoke
 Phone: 01642 373400 Email: hello@logic-bespoke.com

DWG. NO. **LOG.S184.012**

REV **1** SIZE **A4**

Timber Disclaimer: All hardwood timbers lose a degree of tanning, some more than others. Hardwood in an external environment is susceptible to cracking, shelling and moving due to the natural drying process, this does not take away from the durability of the product. In time hardwood may develop surface discolouration, this is caused by natural mould feeding on the tannins and should disperse as the timber dries and turns silver. Logic are not liable for this natural process and can not be held responsible for any of the processes listed. All Logic products will bear some form of company branding