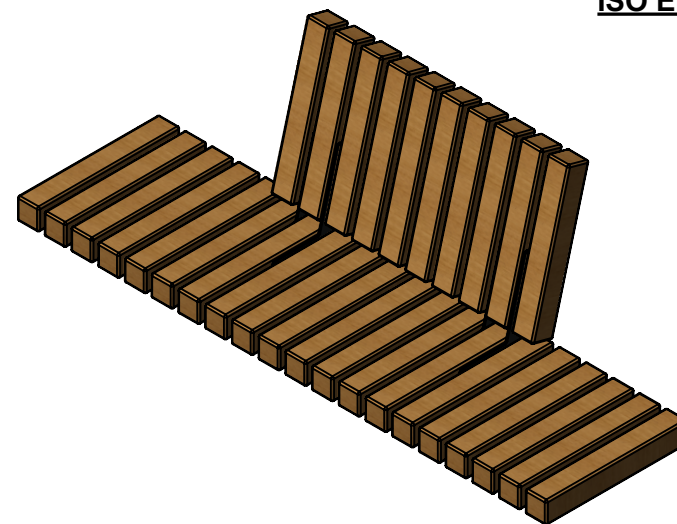
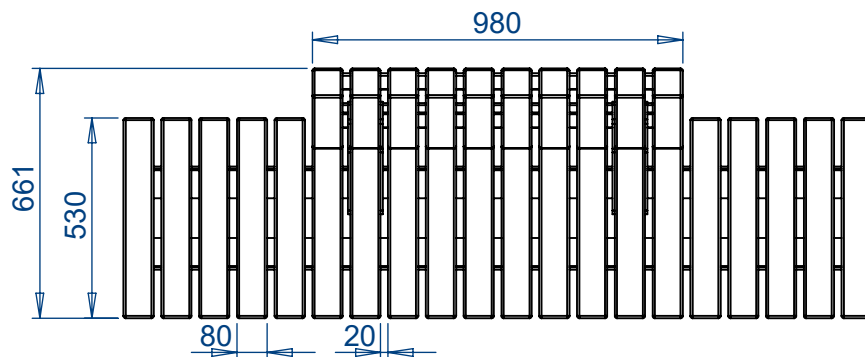


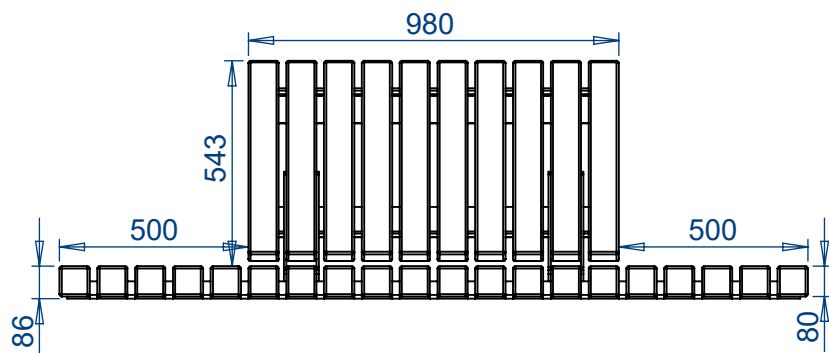
**ISO Elevation**



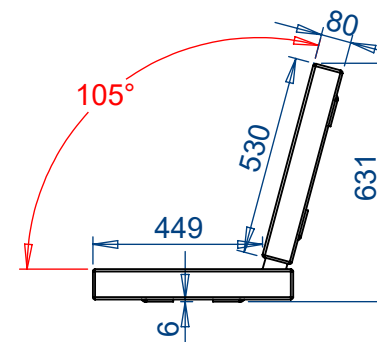
**Plan Elevation**





**Front Elevation**



**Side Elevation**



REVISIONS			DRAWN	SA	Product S184 Plateu - Wall Seat		
REV	AMENDMENTS/ NOTE	DATE	DATE	07/12/2020			<b>Opportunity Name</b> ----
-	-	//	Timber	Sustainable UK Grown Timber, Pencil Round	DWG. NO.		
-	-	//	Metal	6mm Mild Steel Galvanised	LOG.S184.010	<b>REV</b> <b>1</b>	
-	-	//	WEIGHT	103 KG	SIZE A4		
-	-	//	DO NOT SCALE DRAWINGS				
TOLERANCE: All dimensions tolerance +/- 5mm			 <b>LOGIC STREET FURNITURE</b> <b>ALL RIGHTS RESERVED</b>				

Timber Disclaimer: All hardwood timbers lose a degree of tanning, some more than others. Hardwood in an external environment is susceptible to cracking, shelling and moving due to the natural drying process, this does not take away from the durability of the product. In time hardwood may develop surface discolouration, this is caused by natural mould feeding on the tannins and should disperse as the timber dries and turns silver. Logic are not liable for this natural process and can not be held responsible for any of the processes listed. All Logic products will bear some form of company branding