


Quantity: 1 \*Variable lengths: 580mm, 1380mm, 1980mm, 2480mm

Agreed Sub-base Material: -- Lateral Support: --

REVISIONS			Drawn	SA	PM	--
REV	AMENDMENTS/ NOTE	DATE	Date	20/06/2023		
-	-	--/--/--	Timber	Option Dependent		
-	-	--/--/--	Metal	Option Dependent		
-	-	--/--/--	Finish	Option Dependent	Weight	58 KG
-	-	--/--/--	<small>DO NOT SCALE DRAWINGS</small>  <b>LOGIC MANUFACTURED BESPOKE™</b> <b>ALL RIGHTS RESERVED</b>			

**Product**  
Squared bench

**Project:**  
--

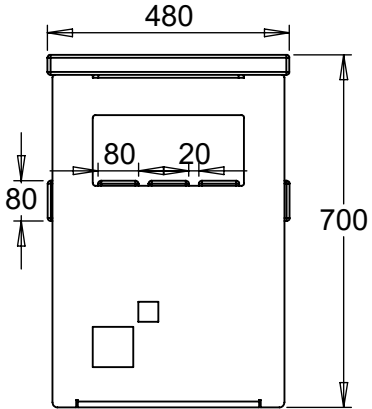
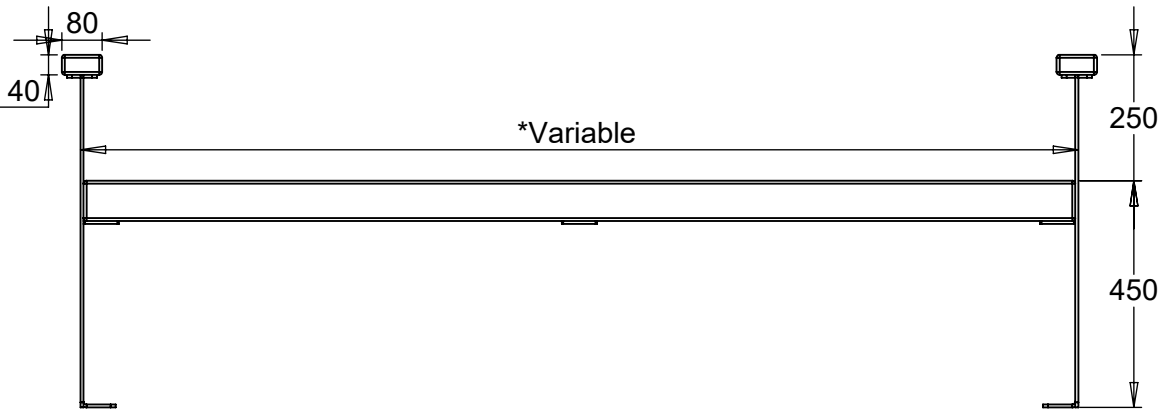
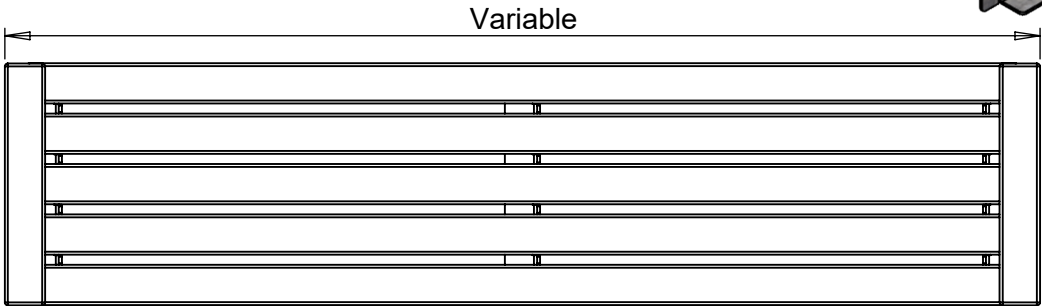
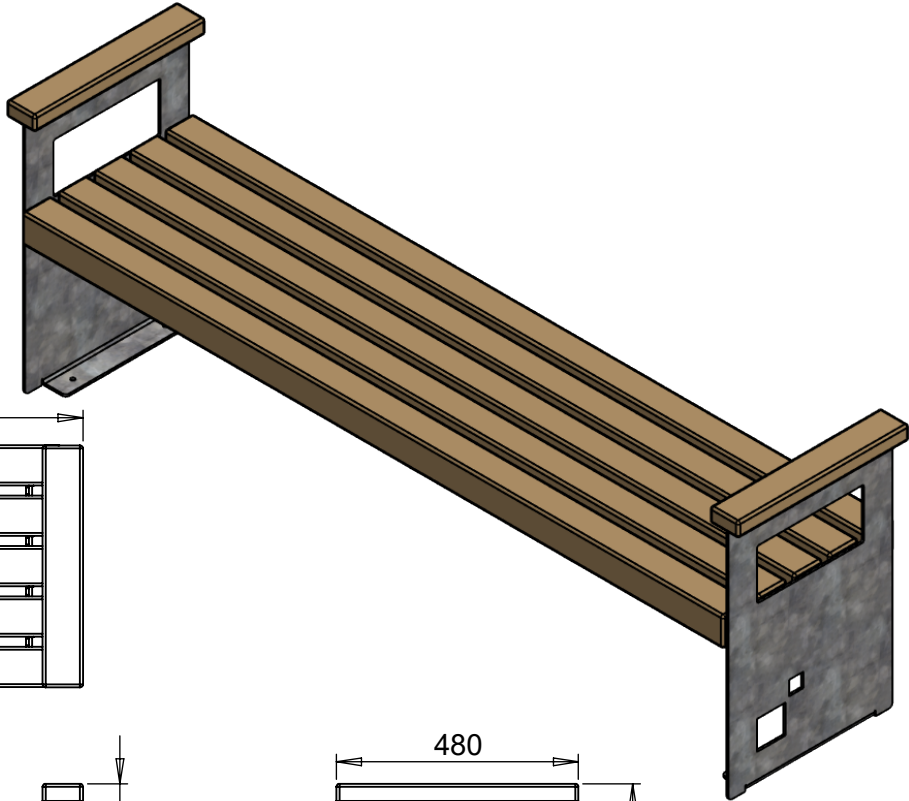
**LOGIC**<sup>TM</sup>  
MANUFACTURED BESPOKE

Logic Manufacture Bespoke™  
Project: 01642 373400 specification@logic-bespoke.com

DWG. NO.  
**S136-B-WEB-0001**

**REV**  
-- **SIZE**  
A4

Timber Disclaimer: All timbers lose a degree of tanning, some more than others. Timber in an external environment is susceptible to cracking, shelling and moving due to the natural drying process, this does not take away from the durability of the product. In time timber may develop surface discolouration, this is caused by natural mould feeding on the tannins and should disperse as the timber dries and turns silver. Logic are not liable for this natural process and can not be held responsible for any of these natural processes. All products to be installed in conjunction with the supplied installation guide, following the steps & guidance. All Logic products will bear some form of company branding. VELOX Rapid Edge™ - Patent Pending - GB2016654.2 - Registered Design - 90082149100001



Quantity: 1 \*Variable lengths: 580mm, 1380mm, 1980mm, 2480mm

Agreed Sub-base Material: --

Lateral Support: --

REVISIONS			Drawn	SA	PM
REV	AMENDMENTS/ NOTE	DATE	Date	20/06/2023	
-	-	--/--/--	Timber	Option Dependent	
-	-	--/--/--	Metal	Option Dependent	
-	-	--/--/--	Finish	Option Dependent	Weight 67 KG
-	-	--/--/--	DO NOT SCALE DRAWINGS <b>LOGIC MANUFACTURED BESPOKE™</b> <b>ALL RIGHTS RESERVED</b>		

**Product**  
Squared bench with arms

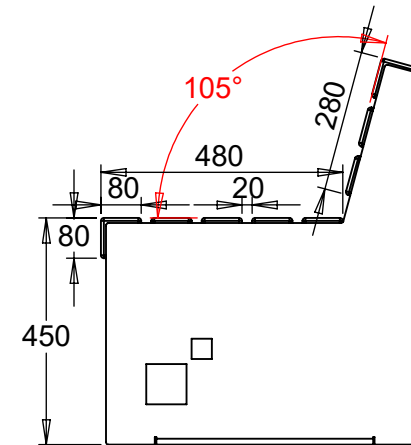
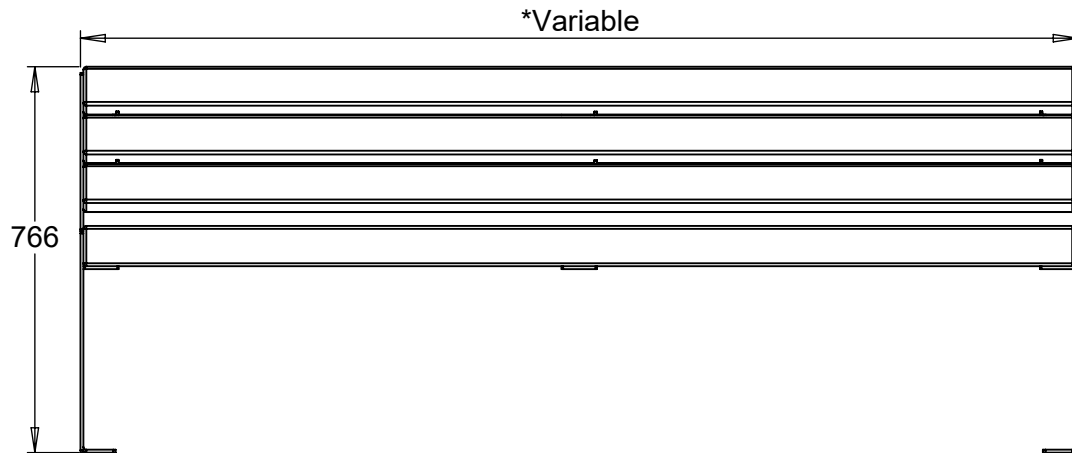
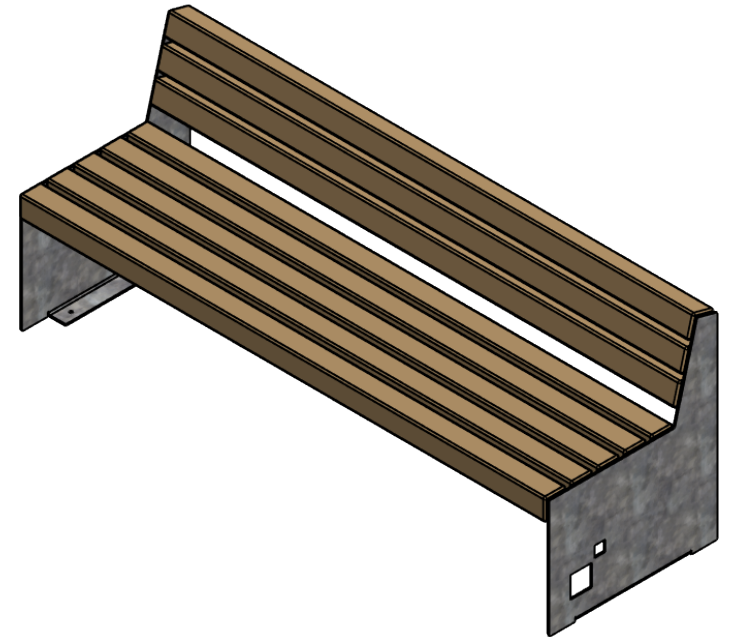
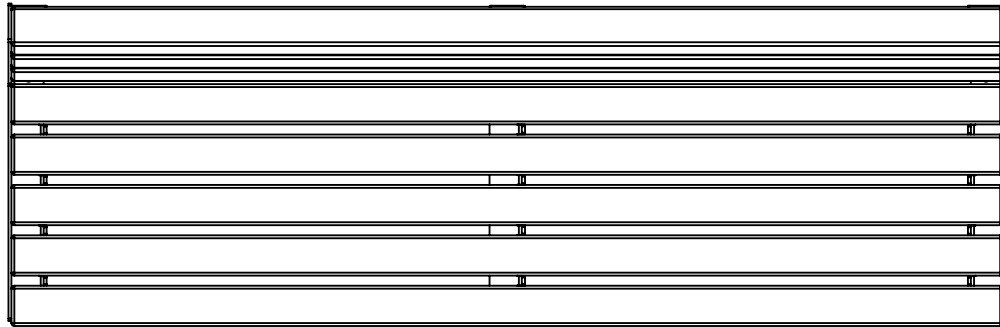
**Project:**  
--



Logic Manufacture Bespoke™  
Project: 01642 373400 specification@logic-bespoke.com

DWG. NO. **S136-BA-WEB-0001** **REV** -- **SIZE** A4

Timber Disclaimer: All timbers lose a degree of tanning, some more than others. Timber in an external environment is susceptible to cracking, shelling and moving due to the natural drying process, this does not take away from the durability of the product. In time timber may develop surface discolouration, this is caused by natural mould feeding on the tannins and should disperse as the timber dries and turns silver. Logic are not liable for this natural process and can not be held responsible for any of these natural processes. All products to be installed in conjunction with the supplied installation guide, following the steps & guidance. All Logic products will bear some form of company branding. VELOX Rapid Edge™ - Patent Pending - GB2016654.2 - Registered Design - 90082149100001



Quantity: 1 \*Variable lengths: 580mm, 1380mm, 1980mm, 2480mm

Agreed Sub-base Material: -- Lateral Support: --

REVISIONS			Drawn	SA	PM	Product		
REV	AMENDMENTS/ NOTE	DATE	Date	20/06/2023		Squared seat		
-	-	--/--/--	Timber	Option Dependent		<b>Project:</b> --		
-	-	--/--/--	Metal	Option Dependent				
-	-	--/--/--	Finish	Option Dependent	Weight			91 KG
-	-	--/--/--	DO NOT SCALE DRAWINGS					<b>LOGIC MANUFACTURED BESPOKE™</b> <b>ALL RIGHTS RESERVED</b>
TOLERANCE: All dimensions tolerance +/- 5mm								

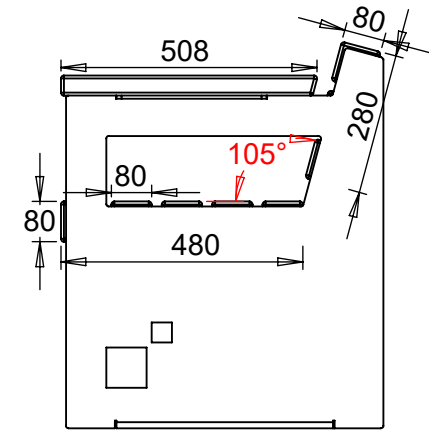
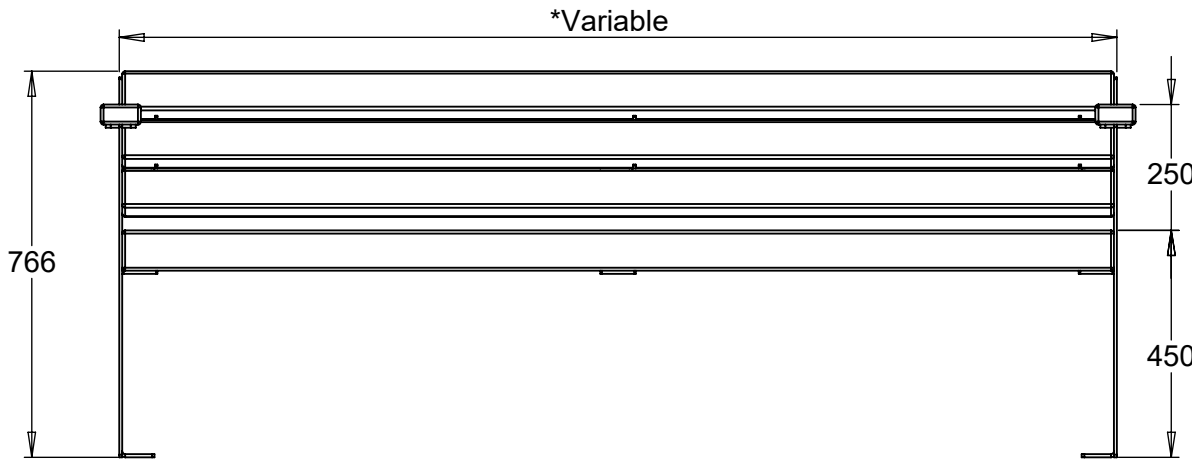
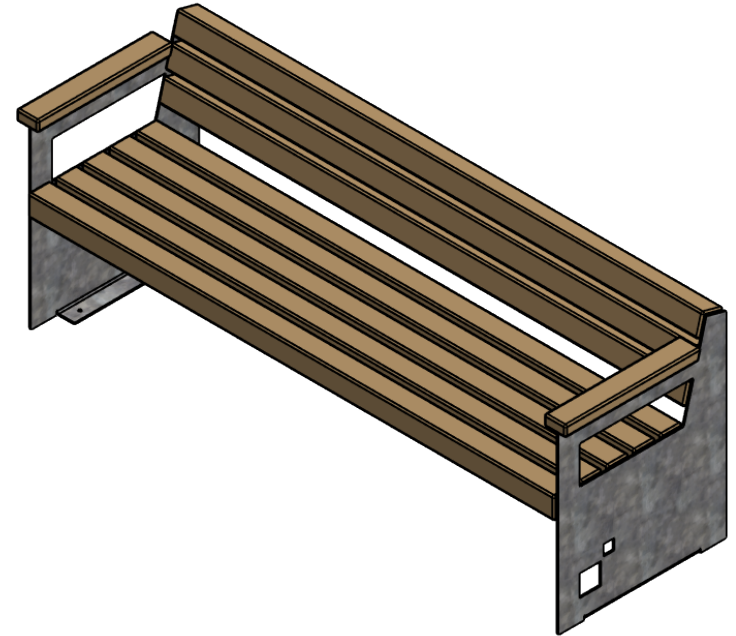


Logic Manufacture Bespoke™  
 Project: 01642 373400 specification@logic-bespoke.com

DWG. NO.  
**S136-S-WEB-0001**

REV  
 -- SIZE  
 A4

Timber Disclaimer: All timbers lose a degree of tanning, some more than others. Timber in an external environment is susceptible to cracking, shelling and moving due to the natural drying process, this does not take away from the durability of the product. In time timber may develop surface discolouration, this is caused by natural mould feeding on the tannins and should disperse as the timber dries and turns silver. Logic are not liable for this natural process and can not be held responsible for any of these natural processes. All products to be installed in conjunction with the supplied installation guide, following the steps & guidance. All Logic products will bear some form of company branding. VELOX Rapid Edge™ - Patent Pending - GB2016654.2 - Registered Design - 9008214910001



Quantity: 1 \*Variable lengths: 580mm, 1380mm, 1980mm, 2480mm

Agreed Sub-base Material: --

Lateral Support: --

REVISIONS			Drawn	SA	PM	--
REV	AMENDMENTS/ NOTE	DATE	Date	20/06/2023		
-	-	--/--/--	Timber	Option Dependent		
-	-	--/--/--	Metal	Option Dependent		
-	-	--/--/--	Finish	Option Dependent	Weight	99 KG
-	-	--/--/--	<small>DO NOT SCALE DRAWINGS</small>			

TOLERANCE: All dimensions tolerance +/- 5mm

**LOGIC MANUFACTURED BESPOKE™**  
ALL RIGHTS RESERVED

**Product**  
Squared seat with arms

**Project:**

--

**LOGIC™**  
MANUFACTURED BESPOKE

Logic Manufacture Bespoke™  
Project: 01642 373400 specification@logic-bespoke.com

DWG. NO.  
**S136-SA-WEB-0001**

**REV**

--

**SIZE**

A4

Timber Disclaimer: All timbers lose a degree of tanning, some more than others. Timber in an external environment is susceptible to cracking, shelling and moving due to the natural drying process, this does not take away from the durability of the product. In time timber may develop surface discolouration, this is caused by natural mould feeding on the tannins and should disperse as the timber dries and turns silver. Logic are not liable for this natural process and can not be held responsible for any of these natural processes. All products to be installed in conjunction with the supplied installation guide, following the steps & guidance. All Logic products will bear some form of company branding. VELOX Rapid Edge™ - Patent Pending - GB2016654.2 - Registered Design - 90082149100001