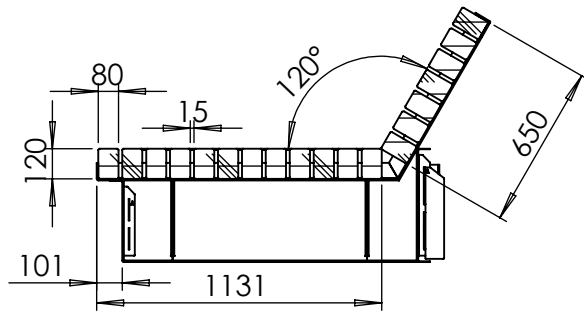
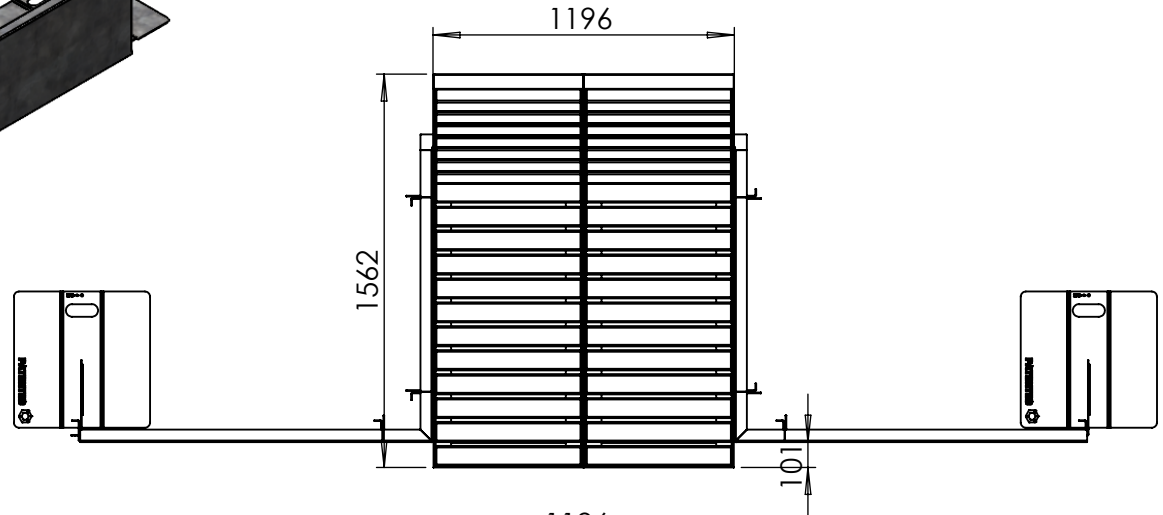
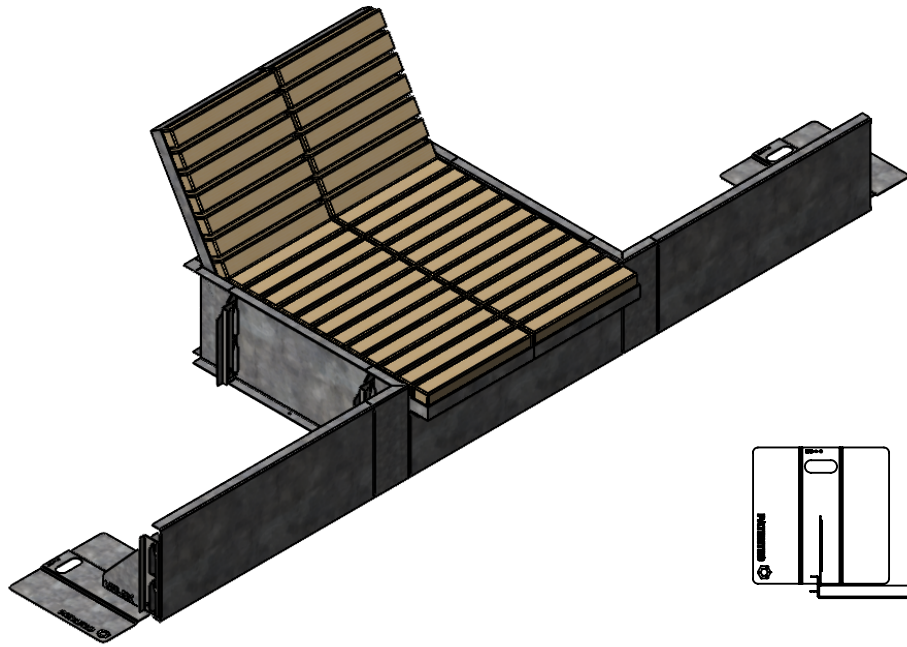


# TECHNICAL DRAWING PACK

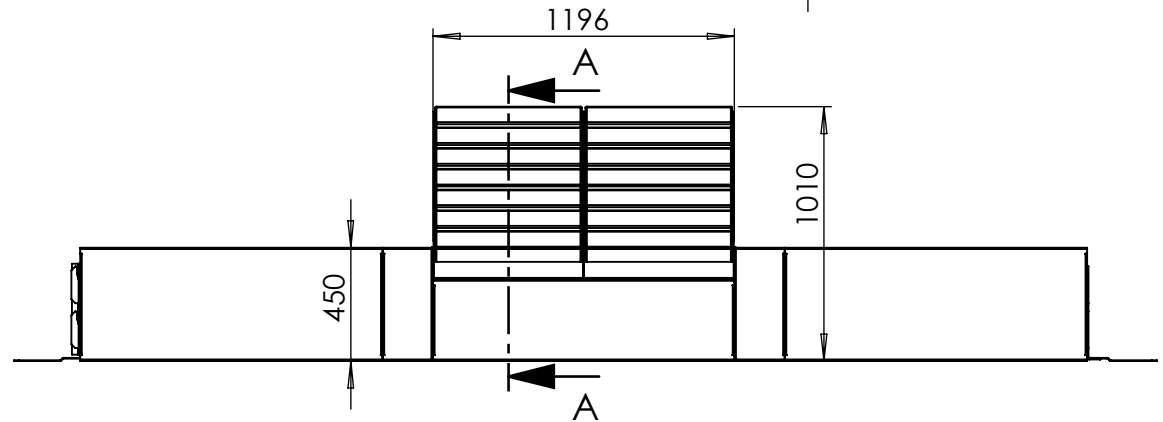
---

These drawings show all elements of the design and are to signed off prior to production.

It is important that all details are carefully checked and understood by yourselves as they will be used for manufacture.



SECTION A-A  
SCALE 1 : 30



**VELOX Rapid Edge™** UK00003507705 / Patent no: GB2600394 / Registered Design - Europe: 008214910 & UK: 90082149100001 | Above FFL | 450 mm | Below FFL | 0 mm | Quantity | 1

Agreed Sub-base Material: TBC | Lateral Support: TBC

REVISIONS			Drawn By	TL	Linear metre	mm	STAGE	2	Product Integrated Lounger	Project: 0002-R1	 Logic Manufacture Bespoke™ 01642 373400 specification@logic-bespoke.com	Sheet No.	SIZE
REV.	AMENDMENTS/NOTE	DATE	PM										
P01	INITIAL ISSUE		Timber	TBC									
			Metal	TBC									
			Finish	TBC	TBC								

TOLERANCE: All dimensions tolerance +/- 5mm | REV. P01

Timber Disclaimer: All timbers lose a degree of tanning, some more than others. Timber in an external environment is susceptible to cracking, shelling and moving due to the natural drying process, this does not take away from the durability of the product. In time timber may develop surface discolouration, this is caused by natural mould feeding on the tannins and should disperse as the timber dries and turns silver. Logic are not liable for this natural process and can not be held responsible for any of these natural processes. All products to be installed in conjunction with the supplied installation guide, following the steps & guidance. All Logic products will bear some form of company branding.

Velox Locking Key  
GB2016654.2

Anco Trademark  
UK00004021374

Velox Self Weighted  
GB2614820

Look & Feel / Intellectual Property  
90082149100001

Velox Trademark  
UK00003507705

**LOGIC**

0002-R1

---

Please ensure you consider the following before signing off:

- Dimensions
- Materials / Finishes
- Levels / Elevations
- Sub Base and Finished Floor Level Specification

Contact your Logic Project Manager to proceed.