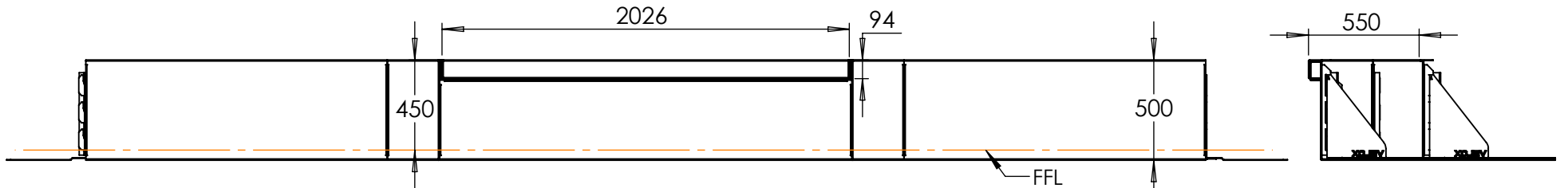
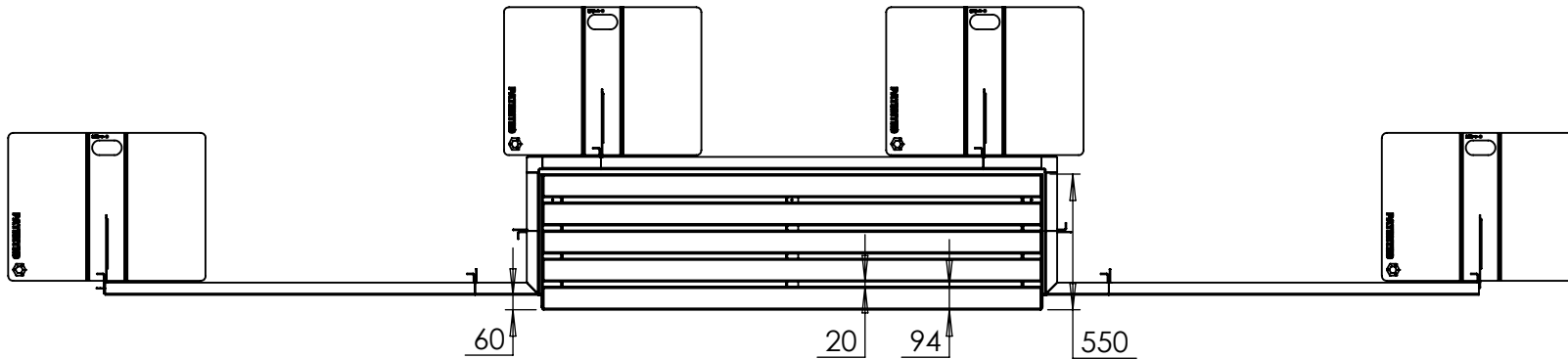


OPTIONAL FINISHES

- TIMBER
- STEEL

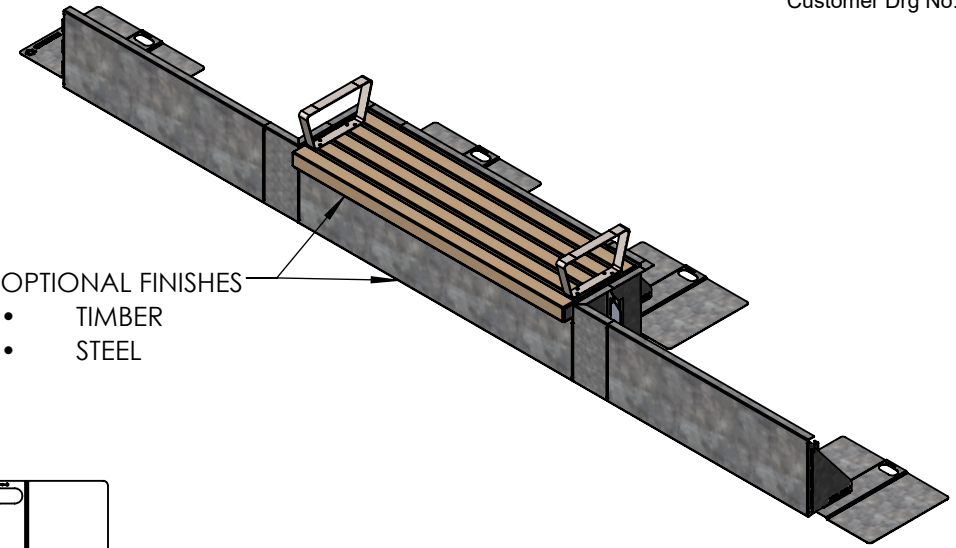


VELOX Rapid Edge™ UK00003507705 / Patent no: GB2600394 / Registered Design - Europe: 008214910 & UK: 90082149100001 | Above FFL | mm | Below FFL | mm | Quantity |

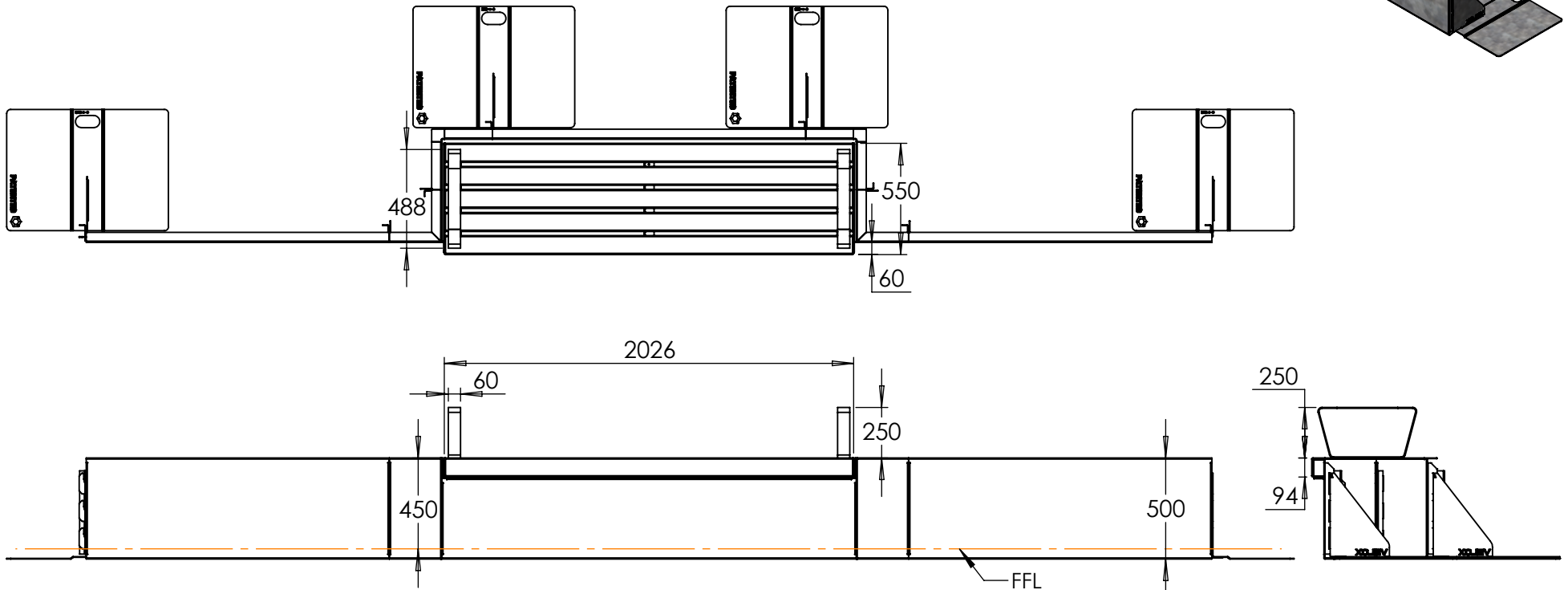
Agreed Sub-base Material: | Lateral Support:

REVISIONS			Drawn By	SA	Linear metre	mm	STAGE	Product Squared Integrated Bench No Arms	Project: Website Download	
REV.	AMENDMENTS/NOTE	DATE	PM	CJ						
P01	INITIAL ISSUE		Timber		2026mm x 94mm x 94mm (Option Dependent)					
			Metal		3mm (OPTION DEPENDENT)					
			Finish							
TOLERANCE: All dimensions tolerance +/- 5mm			REV. P01			LOGIC MANUFACTURED BESPOKE™ ALL RIGHTS RESERVED		DWG. NO.	Sheet No.	SIZE
								Squared Integrated Bench	No Arms	44

Timber Disclaimer: All timbers lose a degree of tanning, some more than others. Timber in an external environment is susceptible to cracking, shelling and moving due to the natural drying process, this does not take away from the durability of the product. In time timber may develop surface discolouration, this is caused by natural mould feeding on the tannins and should disperse as the timber dries and turns silver. Logic are not liable for this natural process and can not be held responsible for any of these natural processes. All products to be installed in conjunction with the supplied installation guide, following the steps & guidance. All Logic products will bear some form of company branding.



- OPTIONAL FINISHES
- TIMBER
 - STEEL

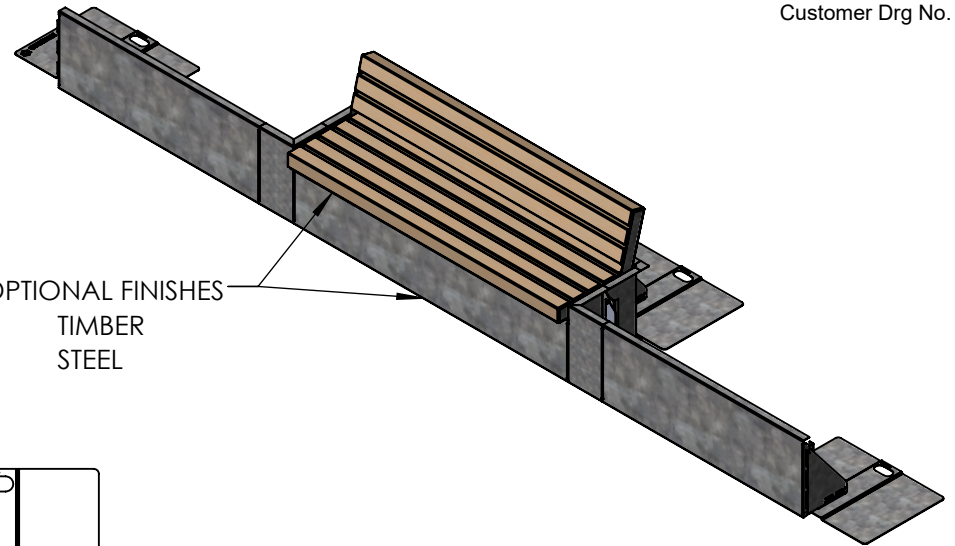


VELOX Rapid Edge™ UK00003507705 / Patent no: GB2600394 / Registered Design - Europe: 008214910 & UK: 90082149100001 | Above FFL | mm | Below FFL | mm | Quantity |

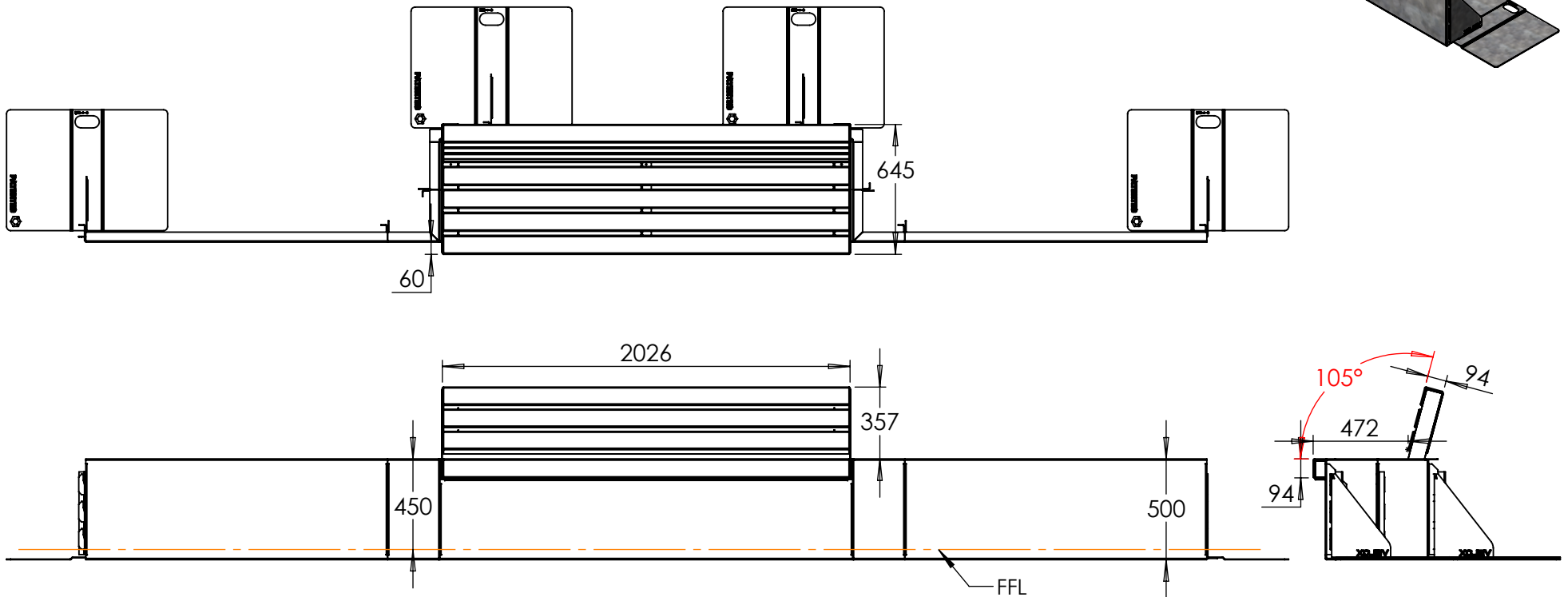
Agreed Sub-base Material: | Lateral Support:

REVISIONS			Drawn By	SA	Linear metre	mm	STAGE	Product Squared Integrated Bench Including Arms	Project: Website Download	 Logic Manufacture Bespoke™ 01642 373400 specification@logic-bespoke.com	Sheet No.	SIZE
REV.	AMENDMENTS/NOTE	DATE	PM	CJ								
P01	INITIAL ISSUE		Timber		2026mm x 94mm x 94mm (Option Dependent)							
			Metal		3mm (OPTION DEPENDENT)							
			Finish									
TOLERANCE: All dimensions tolerance +/- 5mm			REV. P01	LOGIC MANUFACTURED BESPOKE™ ALL RIGHTS RESERVED				DWG. NO. Squared Integrated Bench No Arms			44	

Timber Disclaimer: All timbers lose a degree of tanning, some more than others. Timber in an external environment is susceptible to cracking, shelling and moving due to the natural drying process, this does not take away from the durability of the product. In time timber may develop surface discolouration, this is caused by natural mould feeding on the tannins and should disperse as the timber dries and turns silver. Logic are not liable for this natural process and can not be held responsible for any of these natural processes. All products to be installed in conjunction with the supplied installation guide, following the steps & guidance. All Logic products will bear some form of company branding.



- OPTIONAL FINISHES
- TIMBER
 - STEEL

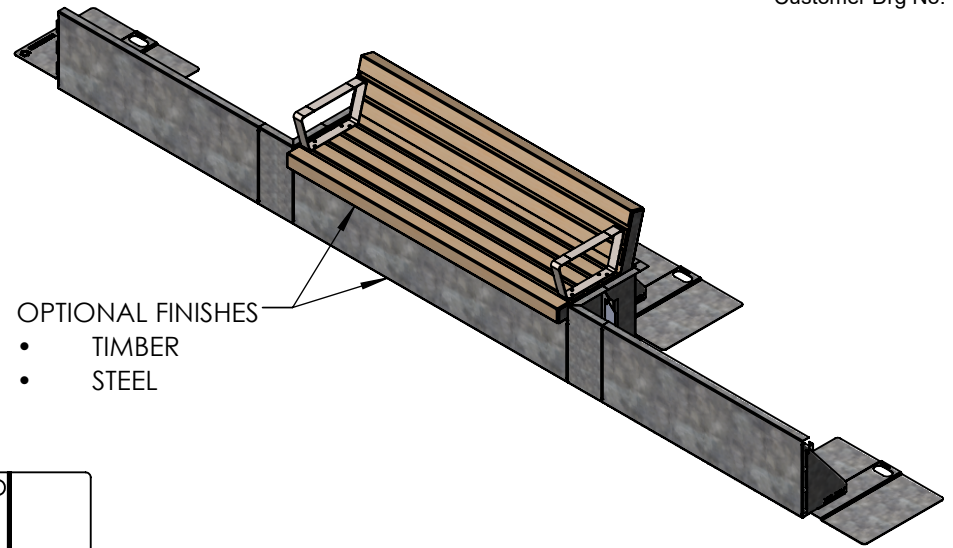


VELOX Rapid Edge™ UK00003507705 / Patent no: GB2600394 / Registered Design - Europe: 008214910 & UK: 90082149100001 | Above FFL | mm | Below FFL | mm | Quantity |

Agreed Sub-base Material: | Lateral Support:

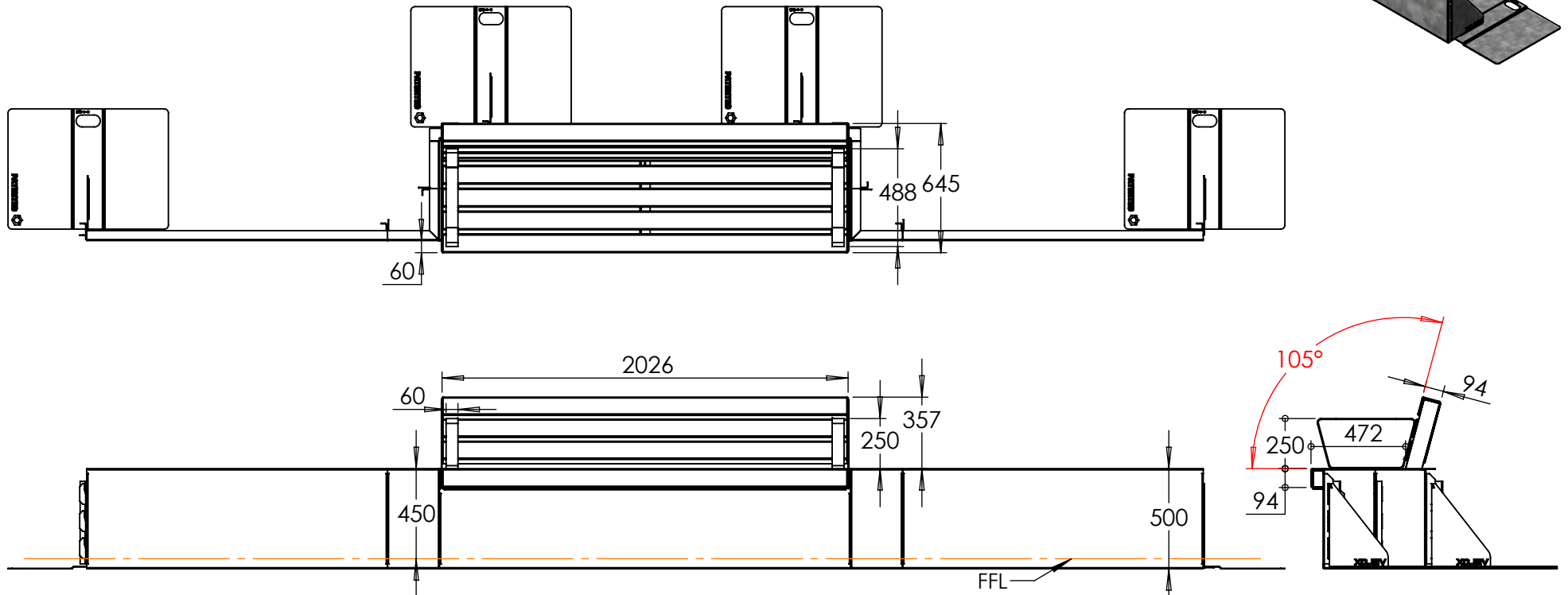
REVISIONS			Drawn By	SA	Linear metre	mm	STAGE	Product Squared Integrated Seat No Arms	Project: Website Download	 Logic Manufacture Bespoke™ 01642 373400 specification@logic-bespoke.com	Sheet No.	SIZE
REV.	AMENDMENTS/NOTE	DATE	PM	CJ								
P01	INITIAL ISSUE		Timber		2026mm x 94mm x 94mm (Option Dependent)							
			Metal		3mm (OPTION DEPENDENT)							
			Finish									
TOLERANCE: All dimensions tolerance +/- 5mm			REV. P01	LOGIC MANUFACTURED BESPOKE™ ALL RIGHTS RESERVED				DWG. NO.		Squared Integrated Bench No Arms 44		

Timber Disclaimer: All timbers lose a degree of tanning, some more than others. Timber in an external environment is susceptible to cracking, shelling and moving due to the natural drying process, this does not take away from the durability of the product. In time timber may develop surface discolouration, this is caused by natural mould feeding on the tannins and should disperse as the timber dries and turns silver. Logic are not liable for this natural process and can not be held responsible for any of these natural processes. All products to be installed in conjunction with the supplied installation guide, following the steps & guidance. All Logic products will bear some form of company branding.



OPTIONAL FINISHES

- TIMBER
- STEEL



VELOX Rapid Edge™ UK00003507705 / Patent no: GB2600394 / Registered Design - Europe: 008214910 & UK: 90082149100001 Above FFL mm Below FFL mm Quantity

Agreed Sub-base Material: Lateral Support:

REVISIONS			Drawn By	SA	Linear metre	mm	STAGE	Product Squared Integrated Seat Including Arms	Project: Website Download	
REV.	AMENDMENTS/NOTE	DATE	PM	CJ						
P01	INITIAL ISSUE		Timber		2026mm x 94mm x 94mm (Option Dependent)					Logic Manufacture Bespoke™ 01642 373400 specification@logic-bespoke.com
			Metal		3mm (OPTION DEPENDENT)					DWG. NO.
			Finish							Sheet No.
TOLERANCE: All dimensions tolerance +/- 5mm			REV. P01		LOGIC MANUFACTURED BESPOKE™ ALL RIGHTS RESERVED					SIZE

Timber Disclaimer: All timbers lose a degree of tanning, some more than others. Timber in an external environment is susceptible to cracking, shelling and moving due to the natural drying process, this does not take away from the durability of the product. In time timber may develop surface discolouration, this is caused by natural mould feeding on the tannins and should disperse as the timber dries and turns silver. Logic are not liable for this natural process and can not be held responsible for any of these natural processes. All products to be installed in conjunction with the supplied installation guide, following the steps & guidance. All Logic products will bear some form of company branding.