



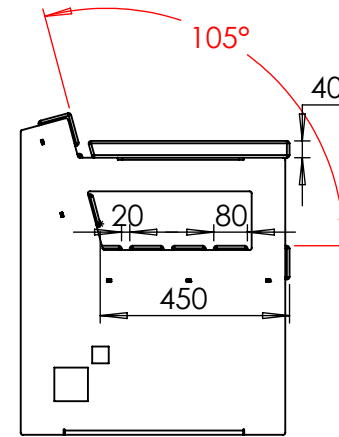
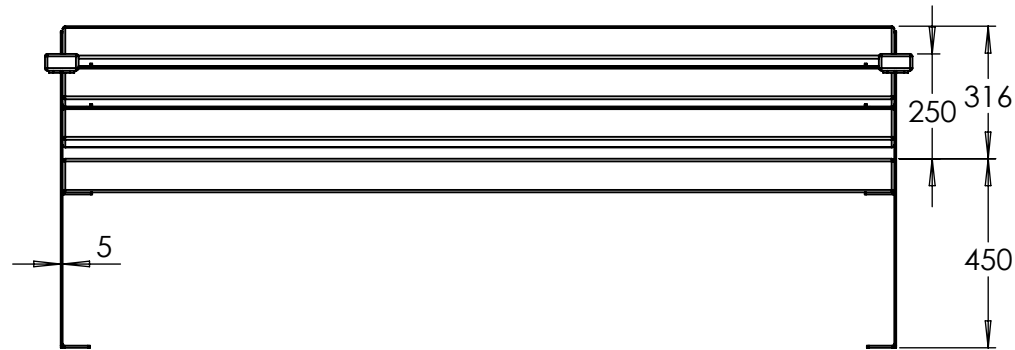
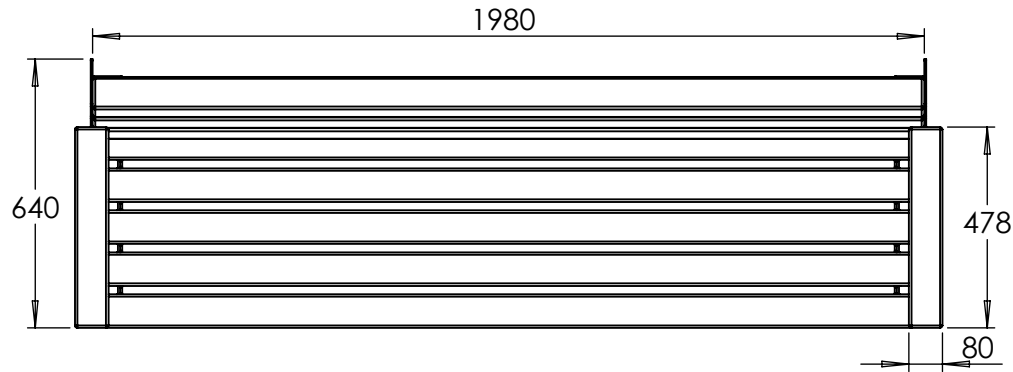
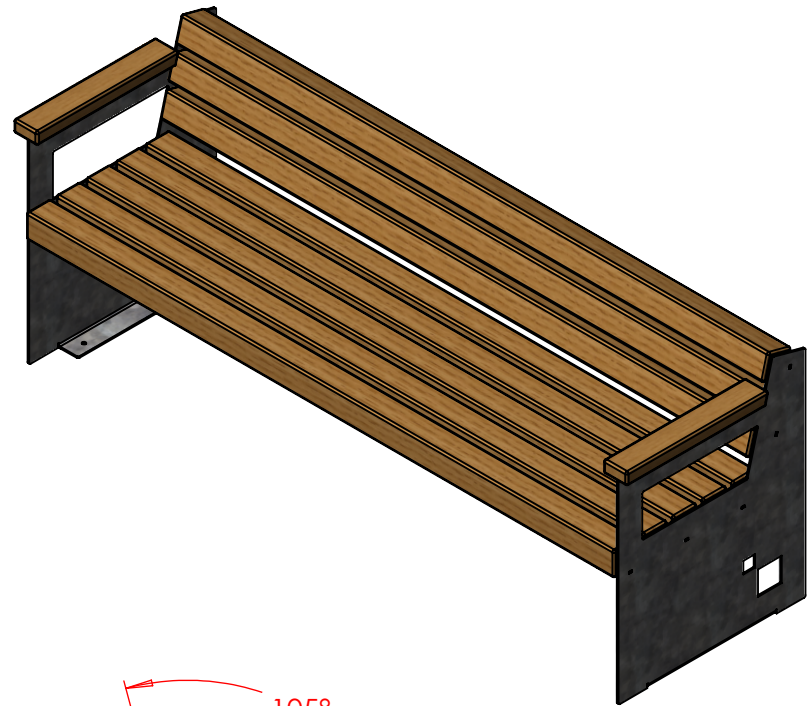
VELOX Rapid Edge™ UK00003507705 / Patent no: GB2600394 / Registered Design - Europe: 008214910 & UK: 90082149100001 | Above FFL | mm | Below FFL | mm | Quantity | 1

Agreed Sub-base Material:

Lateral Support:

REVISIONS			Drawn By	SA	Linear metre	mm	STAGE	3	Product Squared Seat	Project: Website Drawing	 Logic Manufacture Bespoke™ 01642 373400 specification@logic-bespoke.com	DWG. NO.	Sheet No.	SIZE
REV.	AMENDMENTS/NOTE	DATE	PM											
P01	INITIAL ISSUE		Timber		Optional Timber Types - 6mm Pencil Round									
			Metal		5mm Mild Steel - Galvanised									
			Finish		Powder Coated RAL7016 / Natural Timber									
TOLERANCE: All dimensions tolerance +/- 5mm			REV. P01	 <b>LOGIC MANUFACTURED BESPOKE™</b> <b>ALL RIGHTS RESERVED</b>		Squared Seat - 1980x580								

Timber Disclaimer: All timbers lose a degree of tanning, some more than others. Timber in an external environment is susceptible to cracking, shelling and moving due to the natural drying process, this does not take away from the durability of the product. In time timber may develop surface discolouration, this is caused by natural mould feeding on the tannins and should disperse as the timber dries and turns silver. Logic are not liable for this natural process and can not be held responsible for any of these natural processes. All products to be installed in conjunction with the supplied installation guide, following the steps & guidance. All Logic products will bear some form of company branding.

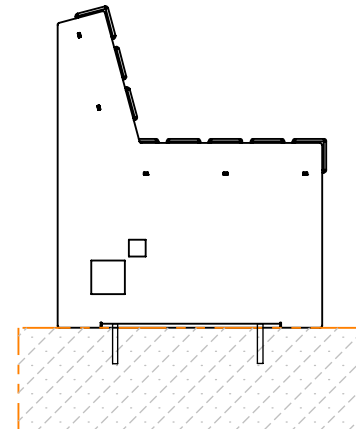
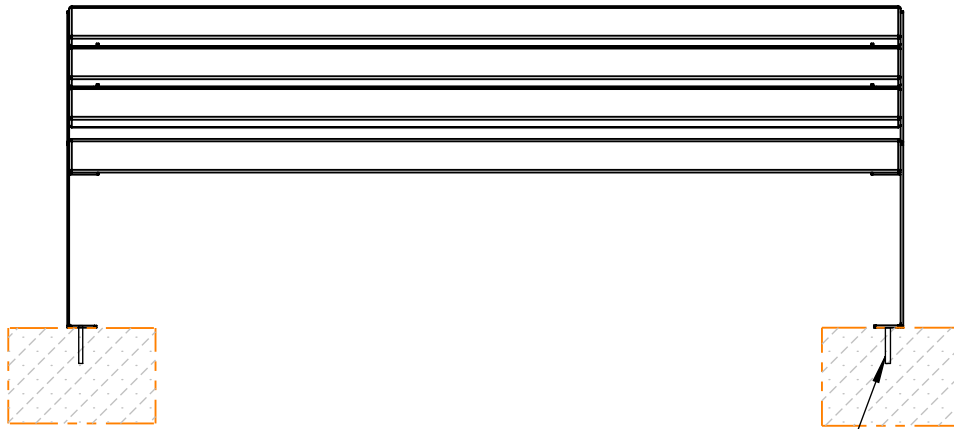


VELOX Rapid Edge™ UK00003507705 / Patent no: GB2600394 / Registered Design - Europe: 008214910 & UK: 90082149100001 | Above FFL | mm | Below FFL | mm | Quantity | 1

Agreed Sub-base Material: | Lateral Support:

REVISIONS			Drawn By	SA	Linear metre	mm	STAGE	3	Product Squared Seat with Arms	Project: Website Drawing		Logic Manufacture Bespoke™ 01642 373400 specification@logic-bespoke.com	DWG. NO.	Sheet No.	SIZE
REV.	AMENDMENTS/NOTE	DATE	PM												
P01	INITIAL ISSUE		Timber		Optional Timber Types - 6mm Pencil Round										
			Metal		5mm Mild Steel - Galvanised										
			Finish		Powder Coated RAL7016 / Natural Timber										
TOLERANCE: All dimensions tolerance +/- 5mm			REV. P01			LOGIC MANUFACTURED BESPOKE™ ALL RIGHTS RESERVED			Squared Seat & Arms - 1980x580		1980x580		A4		



Timber Disclaimer: All timbers lose a degree of tanning, some more than others. Timber in an external environment is susceptible to cracking, shelling and moving due to the natural drying process, this does not take away from the durability of the product. In time timber may develop surface discolouration, this is caused by natural mould feeding on the tannins and should disperse as the timber dries and turns silver. Logic are not liable for this natural process and can not be held responsible for any of these natural processes. All products to be installed in conjunction with the supplied installation guide, following the steps & guidance. All Logic products will bear some form of company branding.



THE BENCH LEGS ARE FIXED TO THE CONCRETE PAD VIA M10 X 90mm GROUND FIXING BOLT

VELOX Rapid Edge™ UK00003507705 / Patent no: GB2600394 / Registered Design - Europe: 008214910 & UK: 90082149100001 | Above FFL | mm | Below FFL | mm | Quantity | 1

Agreed Sub-base Material: | Lateral Support:

REVISIONS			Drawn By	SA	Linear metre	mm	STAGE	3	Product Squared Seat		
REV.	AMENDMENTS/NOTE	DATE	PM								Project: Website Drawing
P01	INITIAL ISSUE		Timber	Optional Timber Types - 6mm Pencil Round					DWG. NO.   Sheet No.   SIZE Squared Seat - 1980x580   3 of 3   A4		
			Metal	5mm Mild Steel - Galvanised							
			Finish	Powder Coated RAL7016 / Natural Timber							
TOLERANCE: All dimensions tolerance +/- 5mm			REV. P01			<b>LOGIC MANUFACTURED BESPOKE™</b> <b>ALL RIGHTS RESERVED</b>					

Timber Disclaimer: All timbers lose a degree of tanning, some more than others. Timber in an external environment is susceptible to cracking, shelling and moving due to the natural drying process, this does not take away from the durability of the product. In time timber may develop surface discolouration, this is caused by natural mould feeding on the tannins and should disperse as the timber dries and turns silver. Logic are not liable for this natural process and can not be held responsible for any of these natural processes. All products to be installed in conjunction with the supplied installation guide, following the steps & guidance. All Logic products will bear some form of company branding.