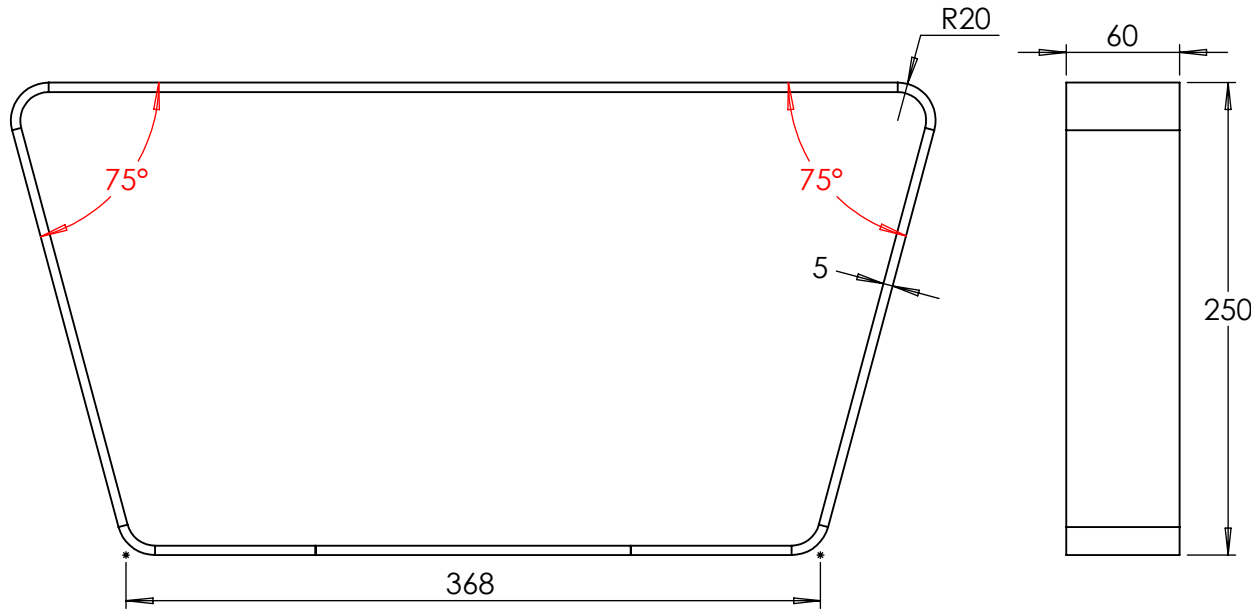
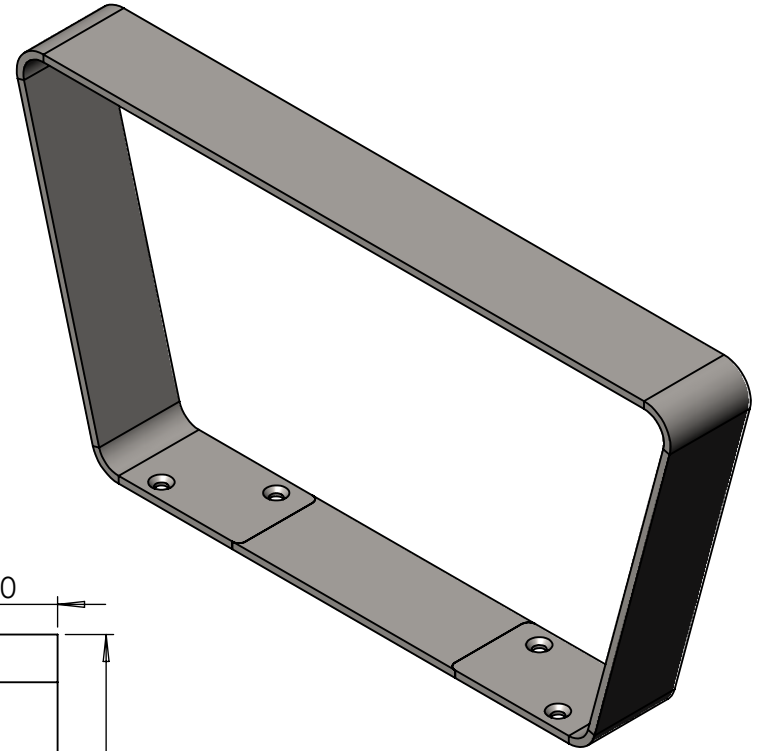
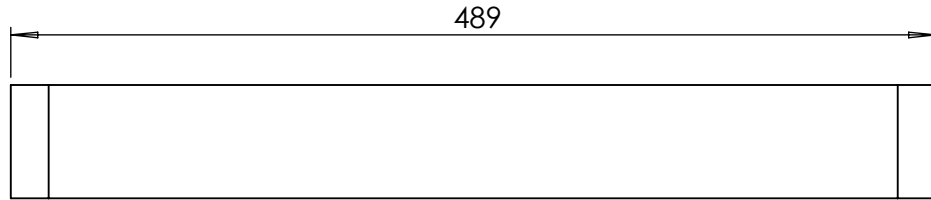


**VELOX Rapid Edge™** UK00003507705 / Patent no: GB2600394 / Registered Design - Europe: 008214910 & UK: 90082149100001 | Above FFL | mm | Below FFL | mm | Quantity |

Agreed Sub-base Material: | Lateral Support:

REVISIONS			Drawn By	Linear metre	mm	STAGE	Product Standard Arm - Open Loop	
REV.	AMENDMENTS/NOTE	DATE	PM					
P01	INITIAL ISSUE		Timber				Sheet No. 1 of 2 SIZE A4	
			Metal	5mm Stainless Steel - Brushed Finish				
			Finish					
TOLERANCE: All dimensions tolerance +/- 5mm						<b>LOGIC MANUFACTURED BESPOKE™</b> <b>ALL RIGHTS RESERVED</b>		
REV. P01								

Timber Disclaimer: All timbers lose a degree of tanning, some more than others. Timber in an external environment is susceptible to cracking, shelling and moving due to the natural drying process, this does not take away from the durability of the product. In time timber may develop surface discolouration, this is caused by natural mould feeding on the tannins and should disperse as the timber dries and turns silver. Logic are not liable for this natural process and can not be held responsible for any of these natural processes. All products to be installed in conjunction with the supplied installation guide, following the steps & guidance. All Logic products will bear some form of company branding.



**VELOX Rapid Edge™** UK00003507705 / Patent no: GB2600394 / Registered Design - Europe: 008214910 & UK: 90082149100001 | Above FFL | mm | Below FFL | mm | Quantity |

Agreed Sub-base Material: | Lateral Support:

REVISIONS			Drawn By	Linear metre	mm	STAGE	Product Standard Arm - Closed Loop	
REV.	AMENDMENTS/NOTE	DATE	PM					
P01	INITIAL ISSUE		Timber				Sheet No. 2 of 2 SIZE A4	
TOLERANCE: All dimensions tolerance +/- 5mm			REV. P01	<b>LOGIC MANUFACTURED BESPOKE™</b> ALL RIGHTS RESERVED				

Timber Disclaimer: All timbers lose a degree of tanning, some more than others. Timber in an external environment is susceptible to cracking, shelling and moving due to the natural drying process, this does not take away from the durability of the product. In time timber may develop surface discolouration, this is caused by natural mould feeding on the tannins and should disperse as the timber dries and turns silver. Logic are not liable for this natural process and can not be held responsible for any of these natural processes. All products to be installed in conjunction with the supplied installation guide, following the steps & guidance. All Logic products will bear some form of company branding.