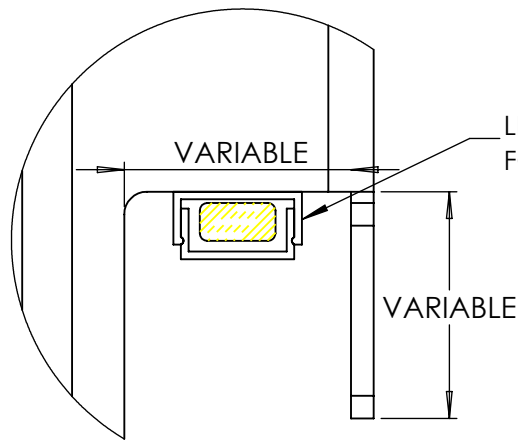


INTEGRATED LIGHTING

STAPEL RAISED  
PLANTER EDGING

ANCO RETAINING EDGE  
FIXED SYSTEM

VARIABLE



LED UNIT BY OTHERS  
FOR ILLUSTRATION PURPOSES ONLY

DETAIL A  
SCALE 1 : 1

INDICATIVE  
FFL

ANCO

VELOX Rapid Edge™ UK00003507705 / Patent no: GB2600394 / Registered Design - Europe: 008214910 & UK: 90082149100001 | Above FFL | mm | Below FFL | mm | Quantity |

Agreed Sub-base Material: | Lateral Support:

REVISIONS			Drawn By	Linear metre	mm	STAGE	Product Stapel Raised Edge with Integrated Lighting	Project: WEBSITE DOWNLOAD	
REV.	AMENDMENTS/NOTE	DATE	PM						
P01	INITIAL ISSUE		Timber						
			Metal						
			Finish						
TOLERANCE: All dimensions tolerance +/- 5mm			REV. P01	<b>LOGIC MANUFACTURED BESPOKE™</b> <b>ALL RIGHTS RESERVED</b>			DWG. NO. 0001-RD-09	Sheet No. 1 of 1	SIZE A4

Timber Disclaimer: All timbers lose a degree of tanning, some more than others. Timber in an external environment is susceptible to cracking, shelling and moving due to the natural drying process, this does not take away from the durability of the product. In time timber may develop surface discolouration, this is caused by natural mould feeding on the tannins and should disperse as the timber dries and turns silver. Logic are not liable for this natural process and can not be held responsible for any of these natural processes. All products to be installed in conjunction with the supplied installation guide, following the steps & guidance. All Logic products will bear some form of company branding.