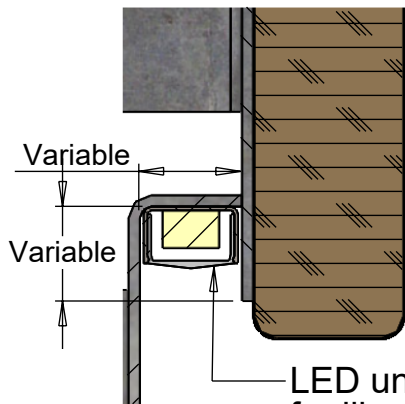


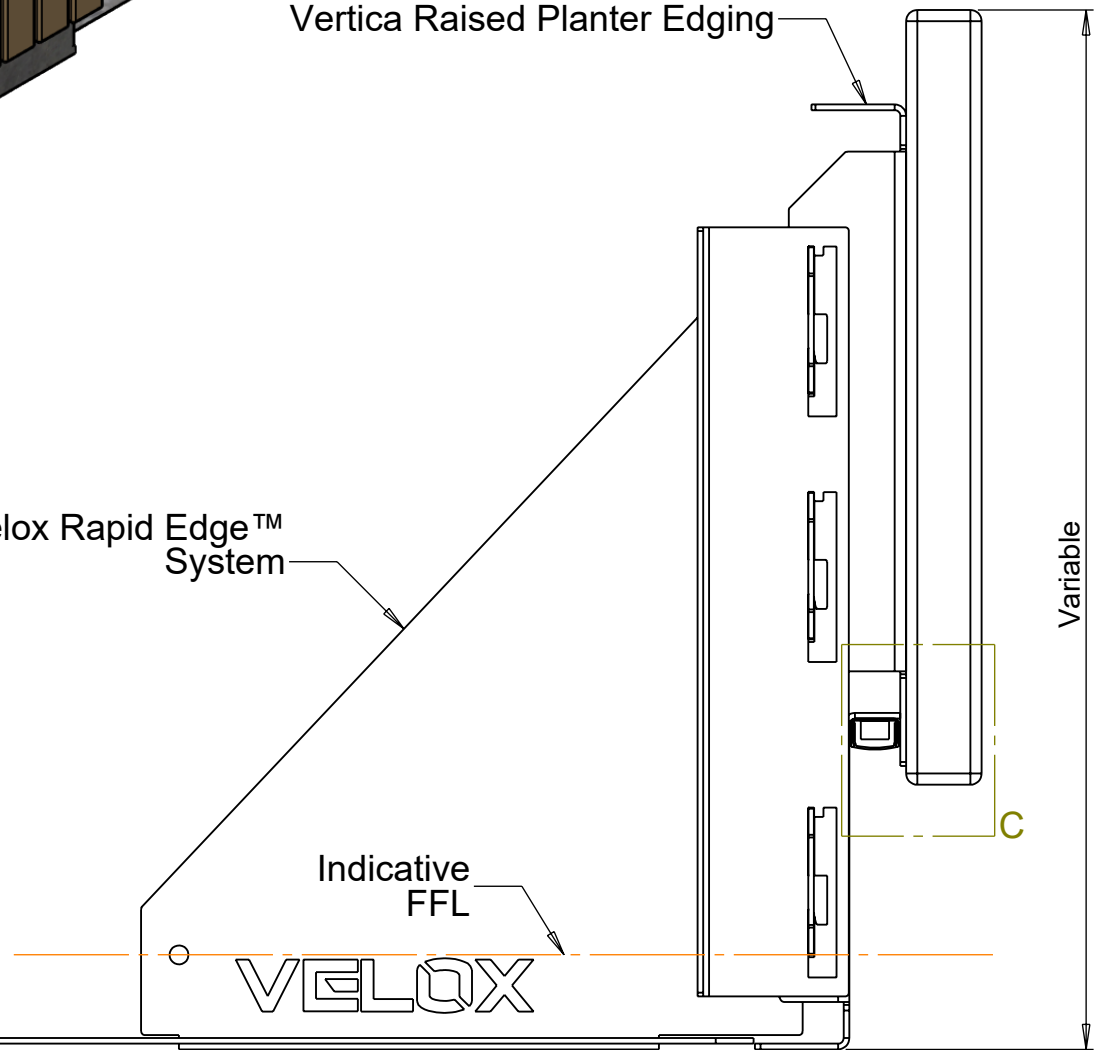
Vertica Raised Planter Edging

Velox Rapid Edge™ System



LED unit by others
for illustration purposes only

DETAIL C
SCALE 1 : 2



Quantity	0
----------	---

REVISIONS			Drawn	SA	PM	--
REV	AMENDMENTS/ NOTE	DATE	Date	20/02/2023		
-	-	--/--/--	Timber	Option Dependent		
-	-	--/--/--	Metal	Option Dependent		
-	-	--/--/--	Finish	Option Dependent	Weight	-- KG
-	-	--/--/--				

TOLERANCE: All dimensions tolerance +/- 5mm

DO NOT SCALE DRAWINGS

LOGIC MANUFACTURED BESPOKE™
ALL RIGHTS RESERVED

Product
Vertica raised edge with
intergrated lighting

Project:
--

LOGIC™
MANUFACTURED BESPOKE

Logic Manufacture Bespoke™
Project: 01642 373400 specification@logic-bespoke.com

DWG. NO. **LOG.P281.IL**

REV -- SIZE A4

Timber Disclaimer: All timbers lose a degree of tanning, some more than others. Timber in an external environment is susceptible to cracking, shelling and moving due to the natural drying process, this does not take away from the durability of the product. In time timber may develop surface discolouration, this is caused by natural mould feeding on the tannins and should disperse as the timber dries and turns silver. Logic are not liable for this natural process and can not be held responsible for any of these natural processes. All products to be installed in conjunction with the supplied installation guide, following the steps & guidance. All Logic products will bear some form of company branding
VELOX Rapid Edge™ UK00003507705 / Patent no:GB2600394 / Registered Design - Europe:008214910 & UK:90082149100001