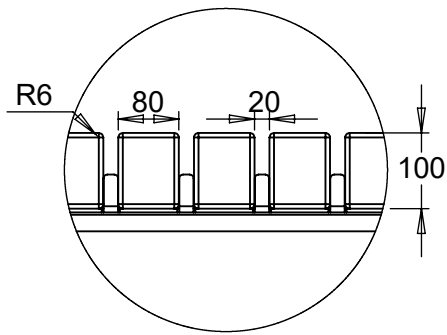
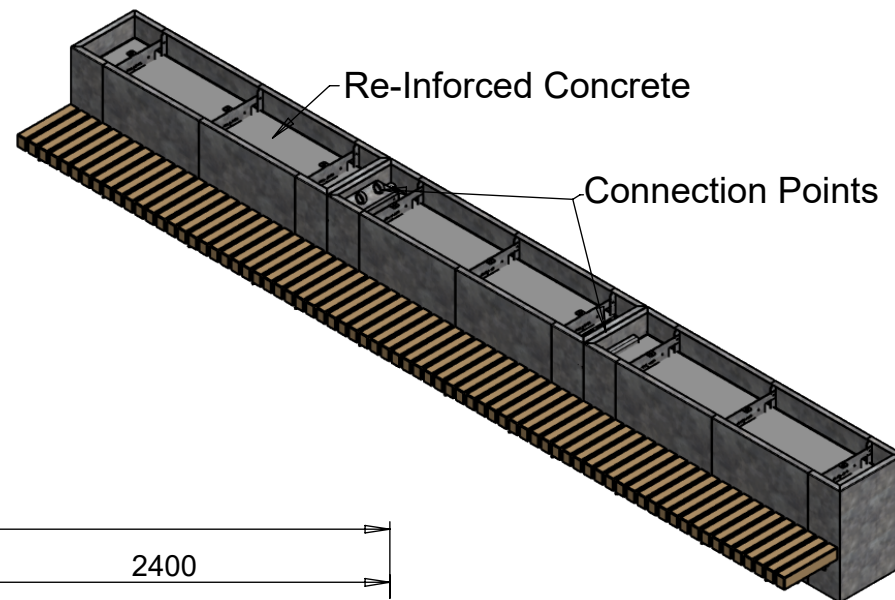


DETAIL B  
SCALE 1 : 25

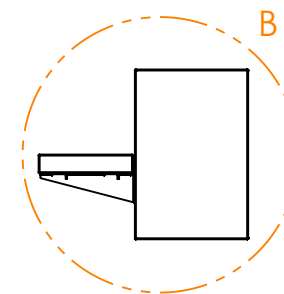
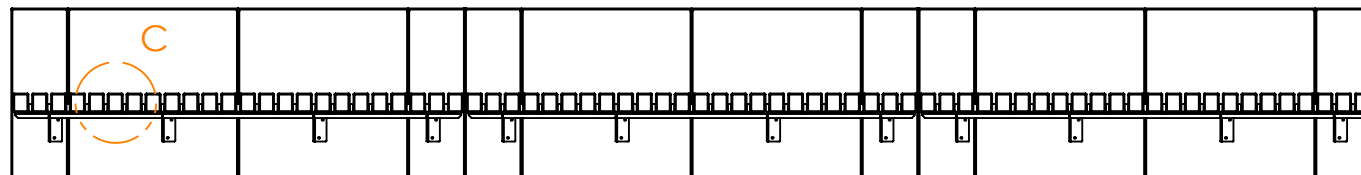
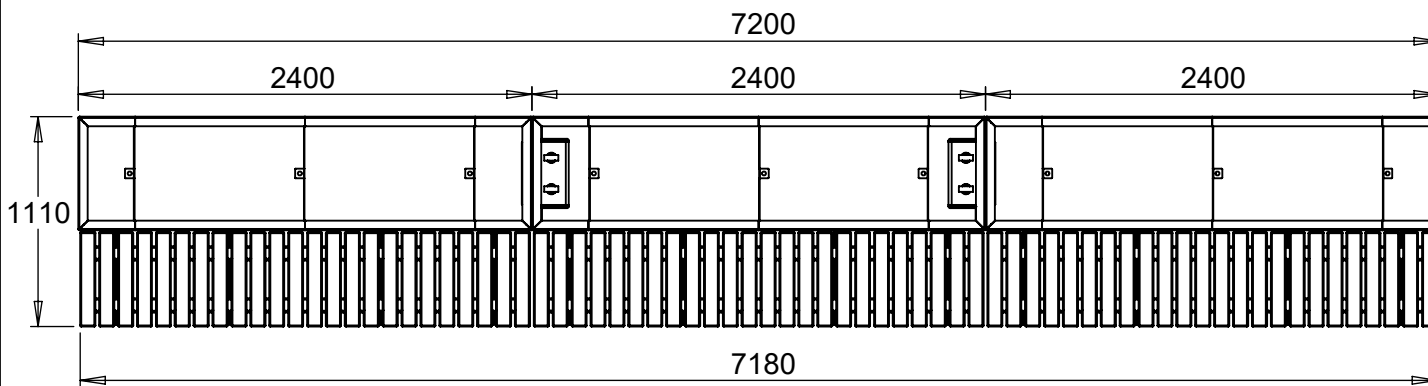


DETAIL C  
SCALE 1 : 10



Re-Inforced Concrete

Connection Points



Patent Pending - GB 2206284.8 - Registered Design - UK00003760470

Quantity: --

Agreed Sub-base Material: --

Lateral Support: --

REVISIONS			Drawn By	SA	Weight	7468KG	STAGE	02
REV	AMENDMENTS/ NOTE	DATE	Project Manager	--			Date	10/07/2023
-	-	--/--/--	Timber	Option Dependent				
-	-	--/--/--	Metal	Option Dependent				
-	-	--/--/--	Finish	Option Dependent				
-	-	--/--/--						

TOLERANCE: All dimensions tolerance +/- 5mm

DO NOT SCALE DRAWINGS

**LOGIC MANUFACTURED BESPOKE™**  
ALL RIGHTS RESERVED

Product  
Gardien Bench Intermediate

Project:  
Project Name

**LOGIC™**  
MANUFACTURED BESPOKE

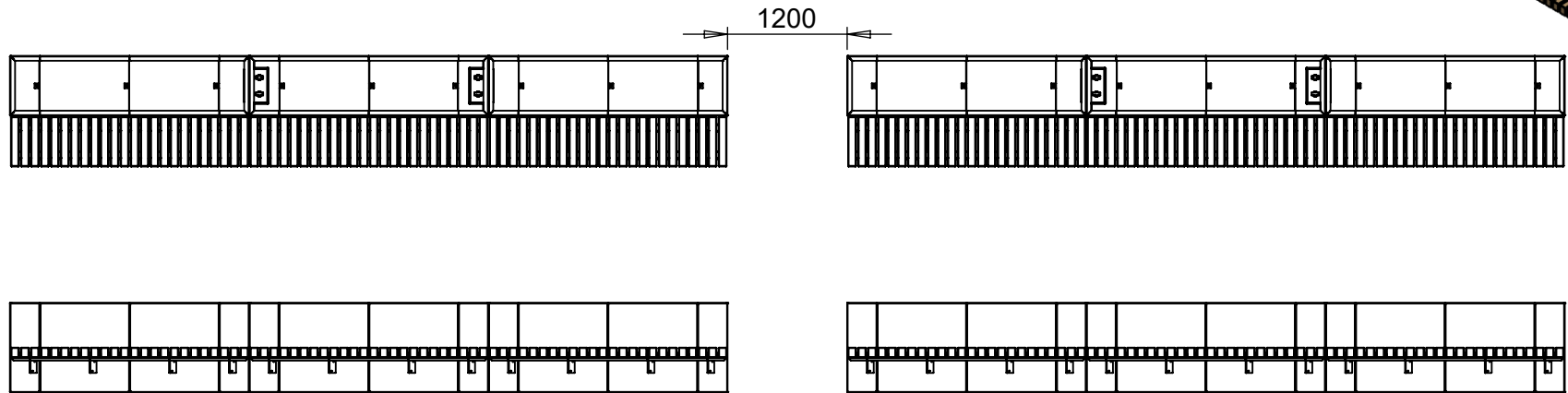
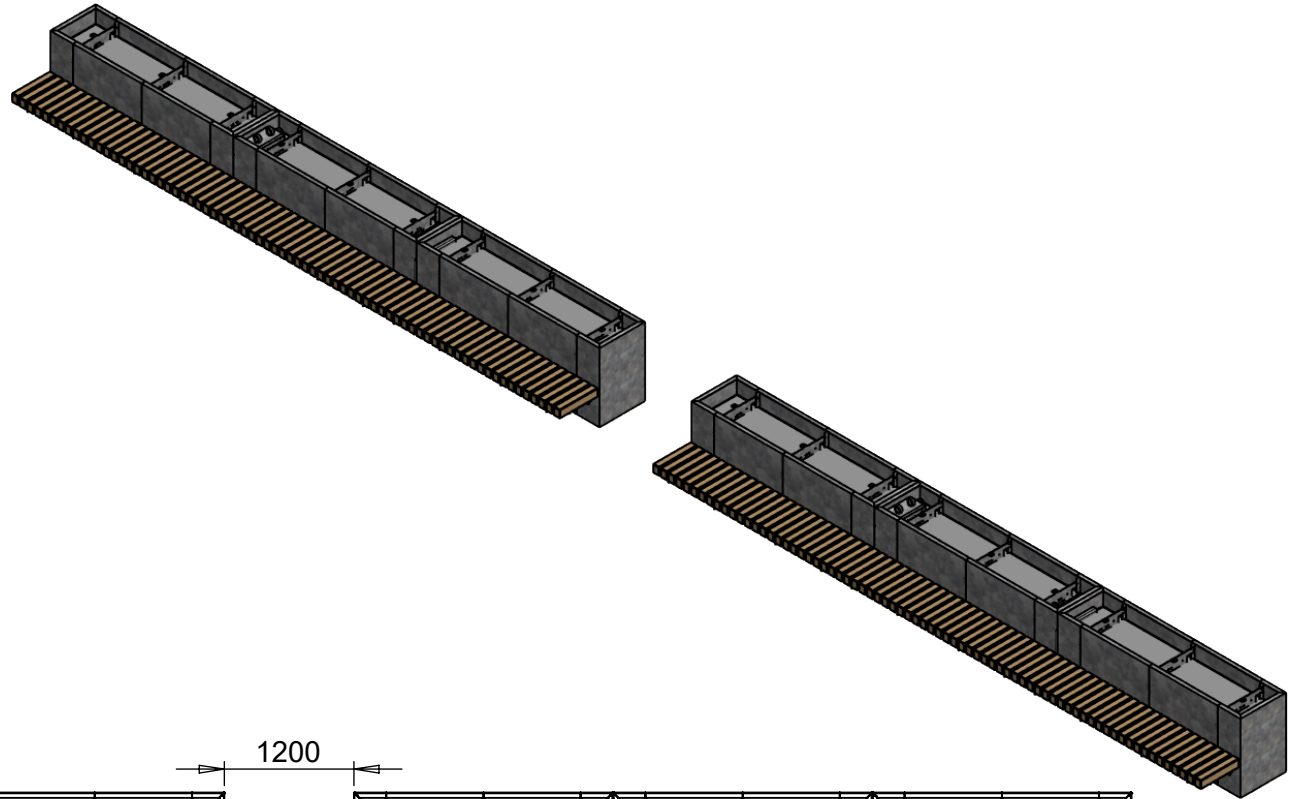
Logic Manufacture Bespoke™  
01642 373400 specification@logic-bespoke.com

DWG. NO. XXXX-G2-A-001

Status	REV	SIZE
P	01	A4

Timber Disclaimer: All timbers lose a degree of tanning, some more than others. Timber in an external environment is susceptible to cracking, shelling and moving due to the natural drying process, this does not take away from the durability of the product. In time timber may develop surface discolouration, this is caused by natural mould feeding on the tannins and should disperse as the timber dries and turns silver. Logic are not liable for this natural process and can not be held responsible for any of these natural processes. All products to be installed in conjunction with the supplied installation guide, following the steps & guidance. All Logic products will bear some form of company branding.

TEST Rating:  
IWA14-Planter V/2500[N1G]/64/90



Patent Pending - GB 2206284.8 - Registered Design - UK00003760470

Quantity: --

Agreed Sub-base Material: --

Lateral Support: --

REVISIONS			Drawn By	SA	Weight	14937KG	STAGE	02
REV	AMENDMENTS/ NOTE	DATE	Project Manager	--	Date	10/07/2023		
-	-	--/--/--	Timber		Option Dependent			
-	-	--/--/--	Metal		Option Dependent			
-	-	--/--/--	Finish		Option Dependent			
-	-	--/--/--						

**Product**  
Gardien Bench Intermediate

**Project:**  
Project Name

**LOGIC**<sup>TM</sup>  
MANUFACTURED BESPOKE

Logic Manufacture Bespoke<sup>TM</sup>  
01642 373400 specification@logic-bespoke.com

DWG. NO. XXXX-G2-A-001

Status	REV	SIZE
P	01	A4

TOLERANCE: All dimensions tolerance +/- 5mm



**LOGIC MANUFACTURED BESPOKE<sup>TM</sup>**  
**ALL RIGHTS RESERVED**

Timber Disclaimer: All timbers lose a degree of tanning, some more than others. Timber in an external environment is susceptible to cracking, shelling and moving due to the natural drying process, this does not take away from the durability of the product. In time timber may develop surface discolouration, this is caused by natural mould feeding on the tannins and should disperse as the timber dries and turns silver. Logic are not liable for this natural process and can not be held responsible for any of these natural processes. All products to be installed in conjunction with the supplied installation guide, following the steps & guidance. All Logic products will bear some form of company branding.